

ESL 405-05 and 405-06 Relay Modules Installation Instructions



CSFM

405-05 Polarity Reversal Relay Module

For use with 4-Wire Sounder Smoke Detectors and
Fire/Burglar Alarm Control Panels

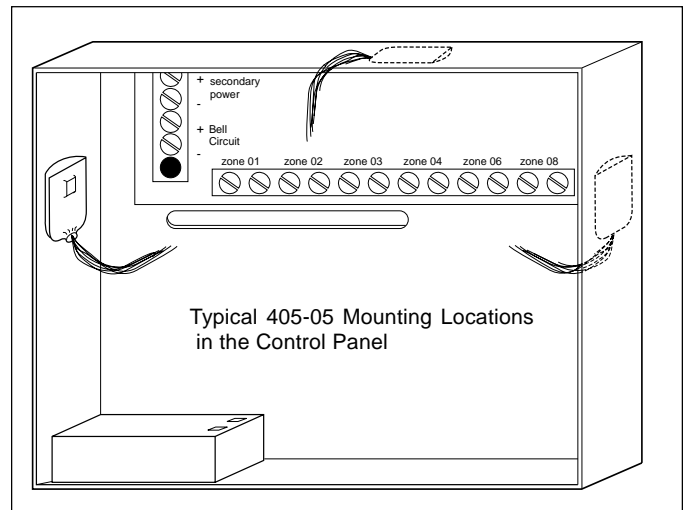
Installation Instructions

1. Choose a mounting location in the control panel within reach of the leads provided. Use 50/50 water to isopropyl alcohol to clean the mounting surface. After the surface has dried, remove protective covering from the tape. Mount unit as shown on control panel illustration. Route wires to the appropriate terminals as noted below.
2. Connect 405-05 trigger wires to the fire alarm output terminals. Observe polarity. [Gray wire to positive (+) and White wire to negative (-)].
3. Connect 405-05 incoming power wires to the smoke detector power source. [White-Red to (+) and White-Black to (-)].
4. Connect 405-05 outgoing power wires to the smoke detector power in terminals. [Red to (+) and Black to (-)].
5. Connect the smoke detector initiating circuit (alarm loop) to the alarm control.
6. Maintenance: no maintenance is required.

Testing: 405-05

1. Test in accordance with NFPA 72 Chapter 7 Test Methods & Frequencies, interfacing equipment.
2. To test the 405-05 initiate an alarm with smoke or approved test method on any detector connected to the control panel via the 405 relay. In alarm, detectors that have responded to smoke or test will sound in their distinct alarm patterns.
3. Reset the smoke detectors by removing power to the detectors.

Note: For two wire smoke detectors, use the ESL 405-01 or 405-03 polarity reversal relay module.



Warning

This polarity reversal device may not be compatible with all power supervision relays. When using ESL 405 Series polarity reversal relays on four wire circuits, use the ESL 204 Series power supervision relay at the end of line. Note: Another option is to use an ESL 449CTE (or CSTE with Sounder) which incorporates an End-of-Line/Sensitivity Status Relay Output.

This polarity reversal device cannot be connected to any coded annunciator.

ESL 405-05 Polarity Reversal Relay Module

