



## Door View B/W Camera

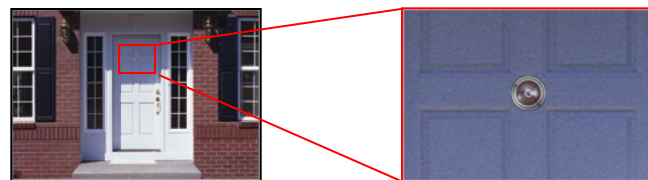
- Sony 1/3" Super HAD CCD
- 420 TVL Horizontal Resolution
- Super Low illumination of 0.05 Lux / F2.0
- 170° Wide Angle of View
- Automatic Gain Control (AGC)
- Automatic Backlight Compensation (BLC)
- Built-in Reverse Power Input Safety Circuit

## Technical Specification

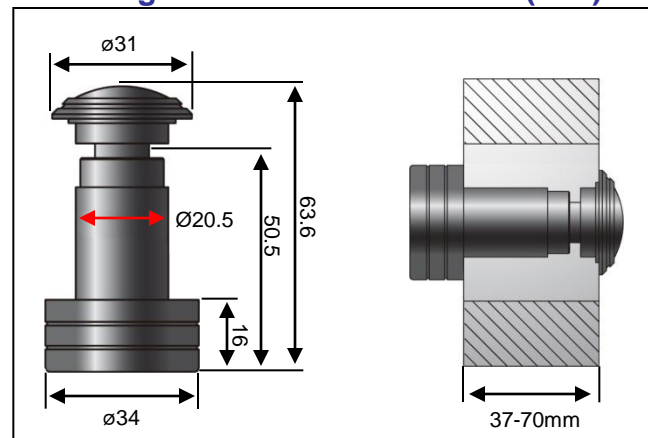
|                       |  |
|-----------------------|--|
| Image Device          | SONY 1/3" SUPER HAD CCD                      |
| Scanning System       | 2 : 1 Interlace                              |
| Scanning Frequency    | H: 15.734 (KHz), V: 59.94 (Hz)               |
| Total Pixels          | 537(H) × 505(V), 410K                        |
| Effective Pixels      | 510(H) × 492(V), 380K                        |
| Horizontal Resolution | 420 TVL                                      |
| Lens                  | f1.78mm / F3.0 / 170°                        |
| Electronic Shutter    | 1/60 ~ 1/100,000sec Auto                     |
| S/N Ratio             | More than 48dB (AGC Off)                     |
| White Balance         | Automatic (2,400°K ~ 8,000°K)                |
| Sensitivity           | 0.05 Lux / F2.0                              |
| Gamma Correction      | $\lambda = 0.45$                             |
| Sync System           | Internal                                     |
| Video Output          | Composite 1 [Vp-p] 75( $\Omega$ ) unbalanced |
| Power Supply          | DC12V ( $\pm 10\%$ ) Max 80mA                |
| Operating Temperature | -10°C ~ +50°C                                |
| Storage Temperature   | -20°C ~ +60°C                                |
| Operating Humidity    | 10% ~ 80%                                    |



## Door-View Application



## Mounting Position & Dimensions (mm)



\* Specifications & Features are subject to change without prior notice.