

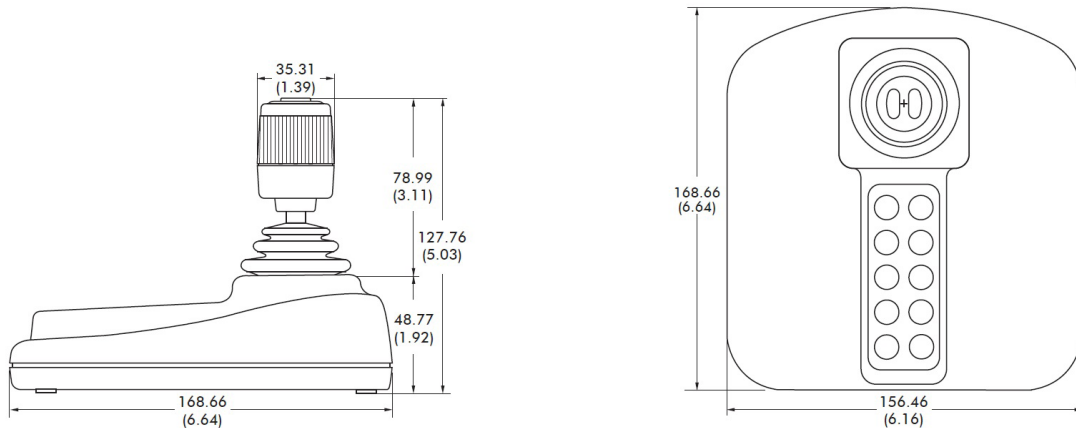
PJSK-0100

Joystick



- 3 axis joysticks for PTZ control
- USB 1.1 HID compliant controller
- Programmable pushbutton switches
- Easy to use and operate
- Compatible with ACTi's video management system

DIMENSION DIAGRAM



Unit: mm (inch)

PRODUCT SPECIFICATION

PJSK-0100

• Device

Joystick Performance	Hall effect three axis joystick; X/Y/Z for positioning control
Joystick Travel	36° for X and Y axis; 60° for Z axis
Centering	Single spring, omni-directional
Pushbutton Performance	10 tactile pushbuttons on housing; Two tactile pushbuttons on joystick; 3,000,000 cycles
Connectors	USB Type A Male; Cable Length: 2m (6.8")
Supported Protocols	USB HID 1.1 controller; Direct X; Joystick: Three HID axes; Pushbuttons: 12 HID buttons; Standard DirectX HID drivers

• General

Joystick Shaft Material	Stainless steel
Joystick Boot Material	Neoprene
Joystick Handle Material	Glass filled nylon
Desktop Housing	High impact ABS housing
Power	Via USB interface (5V DC); Consumption 32mA
Operating Temperature	-25°C ~ 85°C (-13°F ~ 185°F)
Approvals	EN 55024:1998, EN 55022, CE; FCC Part 15 Subpart B Class B; RoHs compliant
Weight	440 g (0.97lb)
Supported Operating Systems	Windows 7, Vista, Windows XP, Windows 2000, Window 8, OSX, Linux
Application Environment	Indoor use only

• Integration

Unified Solution	Fully compatible with ACTi's video management system
------------------	--