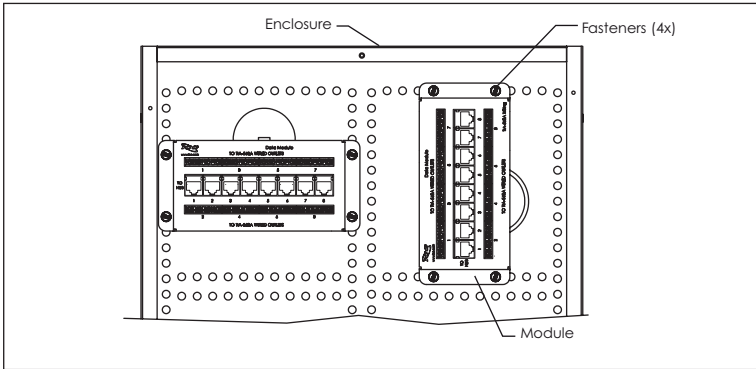


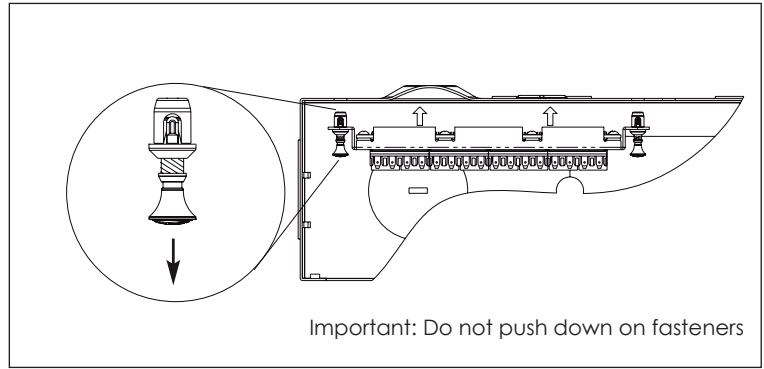


Residential Data Module Category 5e & Category 6

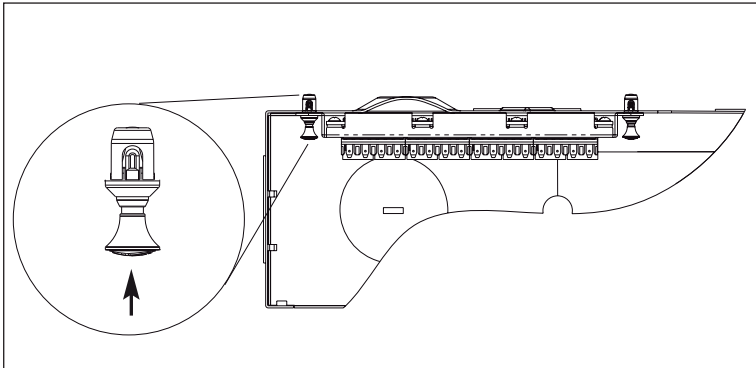
INSTALLATION INSTRUCTIONS



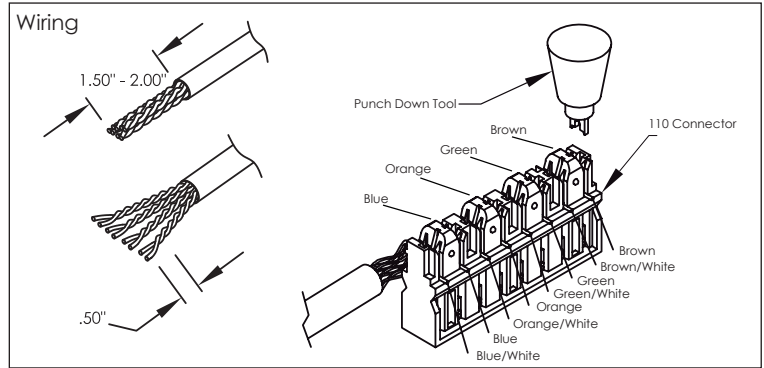
Step 1: Place module horizontally or vertically and align fasteners with the hole pattern.



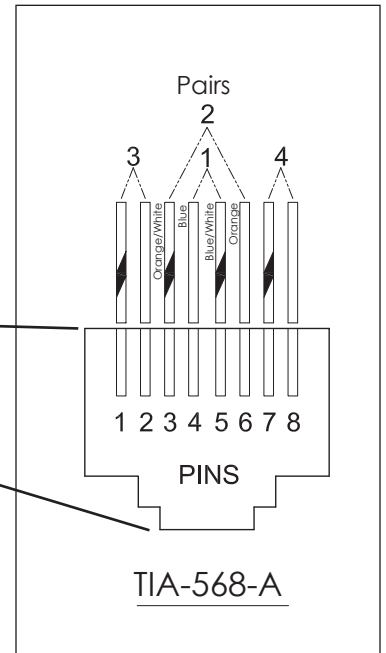
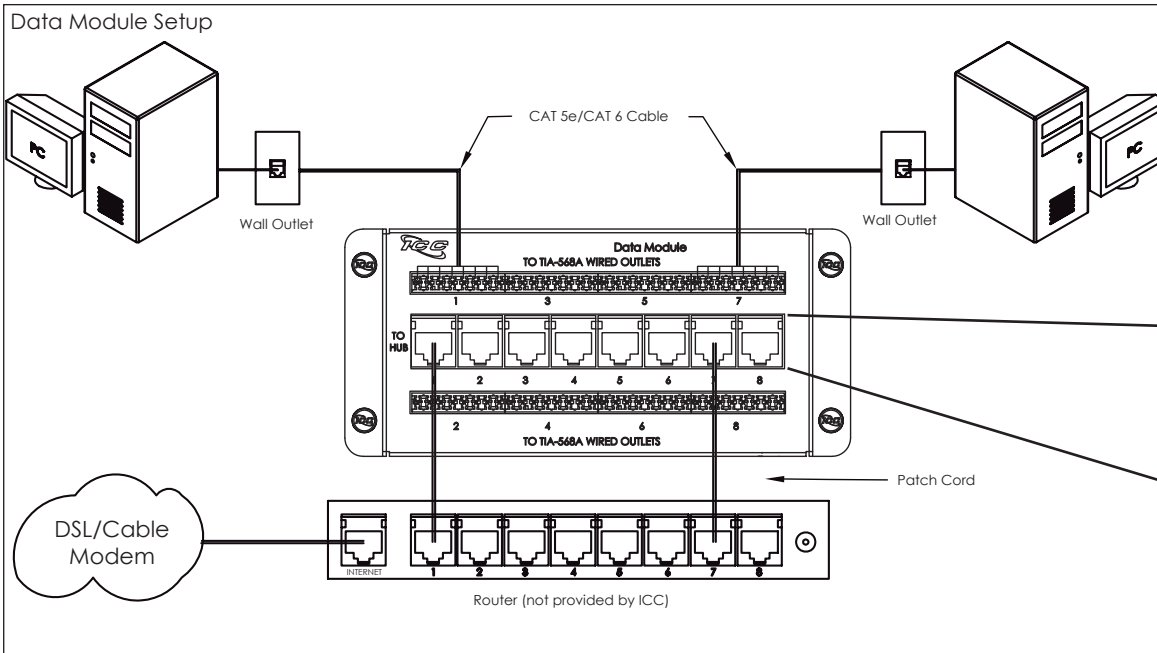
Step 2: Push the module so that the fasteners go into the hole pattern of the enclosure. Make sure fasteners are NOT in locked positions.



Step 3: Once module is in the desired location, push the fasteners to the locked position.



Step 4a: Terminate as indicated. Follow the color-code and only use 110 punch-down tool to terminate the wires. TIA-570 residential wiring standard specifies TIA-568-A color code wiring as the standard for residential installations.

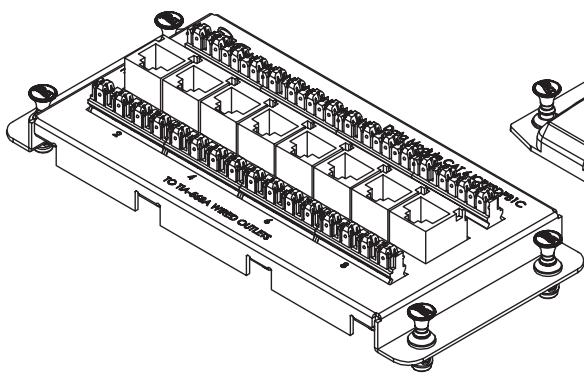


Step 4b: This module supports data connections for 8 locations. Connect one end of a patch cord to a jack and the other end to the router after identifying the port you want to activate.

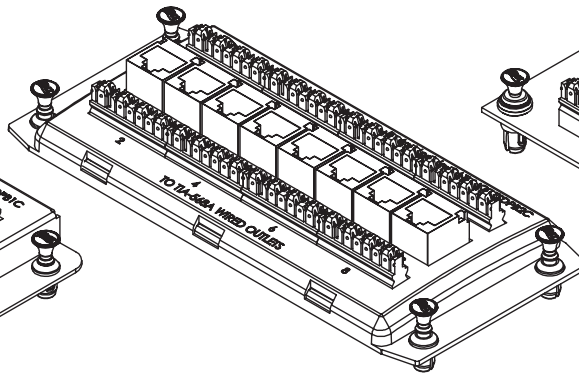
It is important to follow TIA-568-A wiring because it allows pair 1 and 2 to be used for phone applications, up to 2 lines.

Residential Data Module Category 5e & Category 6

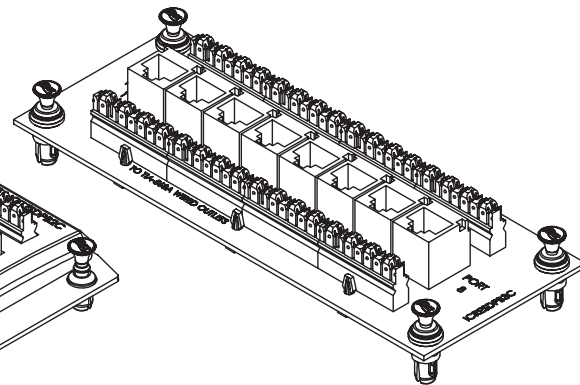
INSTALLATION INSTRUCTIONS



Premier - Steel Bracket



Deluxe - ABS Plastic Bracket



Compact - PCB board without bracket

Part Number	Description
ICRESDPB1C	Premier CAT 6 Data Module, 8-Port
ICRESDPA1C	Premier CAT 5e Data Module, 8-Port

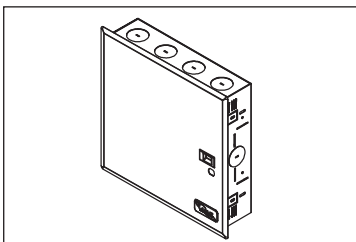
Part Number	Description
ICRESDPB2C	Deluxe CAT 6 Data Module, 8-Port
ICRESDPA2C	Deluxe CAT 5e Data Module, 8-Port

Part Number	Description
ICRESDPB3C	Compact CAT 6 Data Module, 8-Port
ICRESDPA3C	Compact CAT 5e Data Module, 8-Port

FEATURES AND BENEFITS

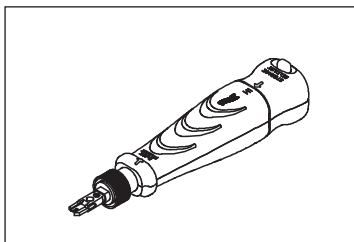
- Provides network interface for local area network applications such as cable or DSL services
- Supports up to eight data lines
- Designed and engineered with 110-type IDC connectors to provide secure terminated wiring
- Designed for installation in ICC Net.Media Centers
- Modules meet or exceed TIA performance standards

OPTIONAL ACCESSORIES



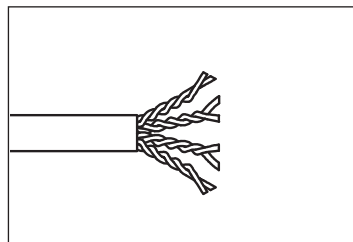
Net.Media Center Enclosures

- **ICRESDC9PE** 9" Enclosure
- **ICRESDC14E** 14" Enclosure
- **ICRESDC21E** 21" Enclosure
- **ICRESDC28E** 28" Enclosure
- **ICRESDC42E** 42" Enclosure
- 9", ABS plastic base with cover
- 14"- 42", 20 AWG steel base with door



Single Blade Punch-Down Tool

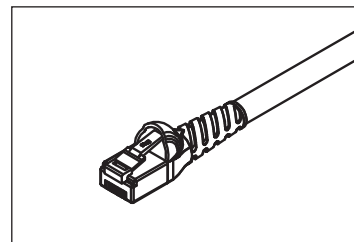
- **ICACSPDT00** Single Blade Tool
- Designed for both 110-type IDC & 66 single-wire termination
- Both blades included
- Adjustable impact settings
- Comfortable grip



Premise Cabling

- **ICCABP5Exx¹** CAT 5e 350MHz, CMP 24AWG
- **ICCABR5Exx²** CAT 5e 350MHz, CMR 24AWG
- **ICCABP6Exx¹** CAT 6e 600MHz, CMP 23AWG
- **ICCABR6Exx²** CAT 6e 600MHz, CMR 23AWG
- Rip cord provides easy jacket removal
- 4-Pair, 1000 ft. roll, solid cable

¹xx denotes color - BL-Blue, GY-Gray, WH-White, YL-Yellow,
²xx denotes color - BL-Blue, GY-Gray, WH-White, YL-Yellow, GN-Green



Patch Cords

- **ICPCSJzzxx¹** CAT 5e, 4 UTP, 24AWG
- **ICPCSKzzxx¹** CAT 6, 4 UTP, 24AWG
- Slim boots fit narrow port spacing
- UL listed
- Factory tested and wired T568

¹xx denotes color - BK-Black, BL-Blue, GN-Green, GY-Gray, OR-Orange, RD-Red, WH-White, YL-Yellow
 zz denotes length - 01, 03, 05, 07, 10, 14, 25 feet