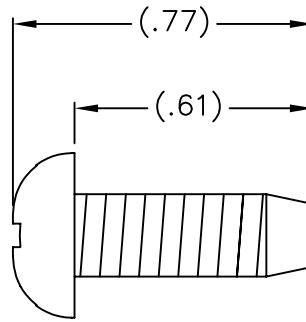
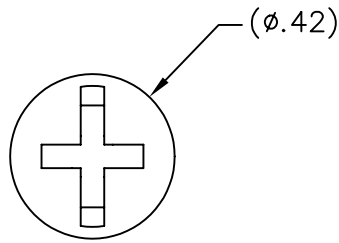
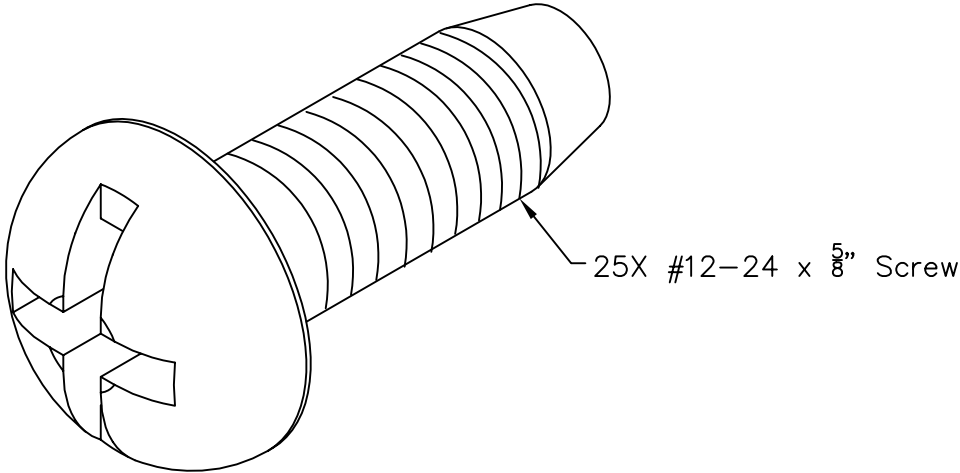


12-24 X 5/8" Rack Screw

PRODUCT SPECIFICATION

Package includes:

A. #12-24 x 5/8" Pan Head, Combination Drive Pilot Point Machine Screw, 25 pcs



NOTE: UNLESS OTHERWISE SPECIFIED

1. COLOR: BK-BLACK OXIDE

Features and Benefits:

- Used with ICCMSR and ICCMSA distribution racks and all ICC rack mount products
- Available in black oxide

RACK SCREW, #12-24X5/8", BLACK, 25 PK

ITEM NO. ICACSS01BK

REV. A

DWG NO. PSACSS01BK

PAGE NO. 1



CUSTOMER CARE / TECHNICAL SUPPORT * CSR@ICC.COM / 888-ASK-4-ICC (275-4422) * 14700 Alondra Blvd., La Mirada, CA 90638 * www.icc.com