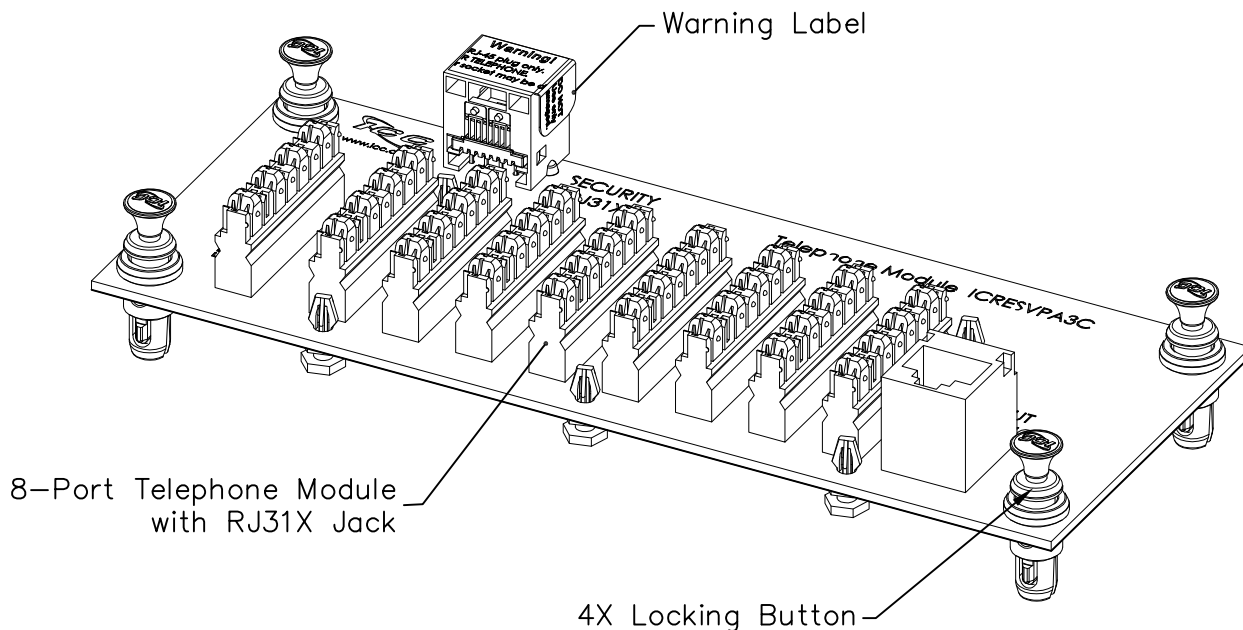


8-Port Telephone Compact Module with RJ31X Jack

PRODUCT SPECIFICATION

Package includes:

- A. 8-Port Telephone Module with RJ31X Jack, 1 pc
- B. Locking Button, 4 pcs
- C. Warning Label, 1 pc
- D. Installation Instructions, 1 sheet



Features and Benefits:

- Designed to support up to 4 incoming telephone lines with 8 outputs/extensions per line
- Module is bridged as using only 2 incoming lines can get 16 outputs/extensions per line and using only 1 incoming line can get 32 outputs/extensions
- Includes an RJ31X jack connected to line 1 for a security system
- Includes an expansion jack for more outputs/extensions by connecting to ICRESVPB1C 8-port telephone resi module with expansion jacks
- Fits all ICRESDC 14", 21", and 28" resi distribution center enclosures
- Installation instructions included
- ANSI/TIA-568-C and UL 1863 compliant

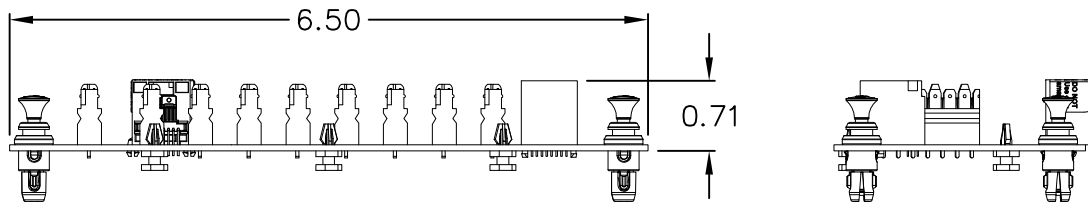
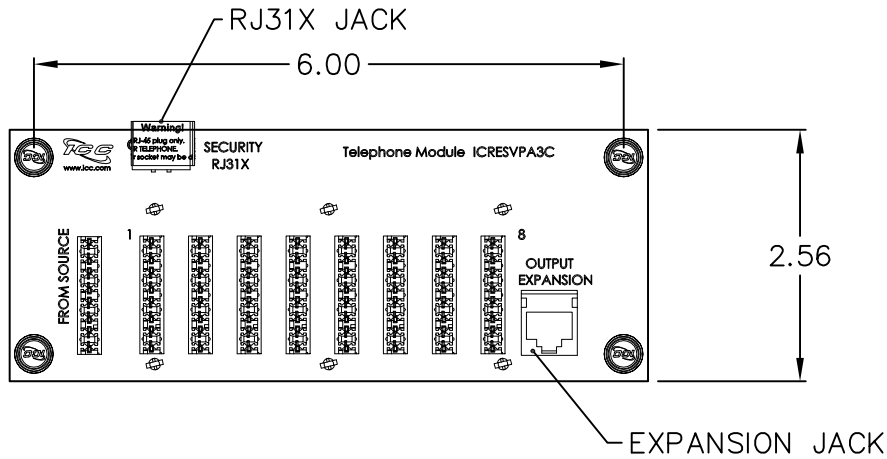
COMPACT MODULE, TELEPHONE, 8-PORT W/ RJ31X

ITEM NO.	ICRESVPA3C
DWG NO.	PSRESVPA3C

REV.	A
PAGE NO.	1



CUSTOMER CARE / TECHNICAL SUPPORT * CSR@ICC.COM / 888-ASK-4-ICC (275-4422) * 2100 E. Valencia Dr, Suite D, Fullerton, CA 92831 * www.icc.com



NOTE: UNLESS OTHERWISE SPECIFIED

1. 8-PORT TELEPHONE MODULE WITH RJ31X JACK:

- A. PCB: GLASS EPOXY FR-4 COPPER CLAD, t=1.20mm
- B. 110 BLOCK:
 - HOUSING: PC, UL 94V-0
 - IDC: PHOSPHOROUS BRONZE, TIN PLATED
- C. RJ45 & RJ31X JACK/SOCKET:
 - HOUSING: PBT + 15% FIBER GLASS
 - CONTACT: PHOSPHOROUS BRONZE, 50u" GOLD PLATED
- D. WIRING IN ACCORDANCE TO T568A

2. LOCKING BUTTON: MATERIAL: NYLON 6/6, UL 94V-0

UL US FILE NO. 125268

COMPACT MODULE, TELEPHONE, 8-PORT W/ RJ31X		
ITEM NO.	ICRESVPA3C	
DWG NO.	PSRESVPA3C	PAGE NO. 2

CUSTOMER CARE / TECHNICAL SUPPORT * CSR@ICC.COM / 888-ASK-4-ICC (275-4422) * 2100 E. Valencia Dr, Suite D, Fullerton, CA 92831 * www.icc.com