



## INSTALLATION AND OPERATION MANUAL

# COPPERLINE®

## CLEK11EOC

### COPPERLINE® VALUE KIT: POINT-TO-POINT ETHERNET-OVER-COAX EXTENDER

#### This manual serves the following ComNet Model Numbers:

##### CLEK11EOC:

- 1 × CLEL1EOC/M
- 1 × CLER1EOC/M

The ComNet CopperLine® Ethernet-over-coax minis are an ultra-small form factor addition to the ComNet Copperline product family. These miniature remote units provide 10/100 Mbps Ethernet data over extended distance coaxial cable, up to 1,200 feet (400 meters). The mini CopperLine units will allow extended distance over copper to be used in standard applications where space is extremely limited. A DIP Switch allows configurable selection of 10 Mbps or 100 Mbps speed these units are simple to install. This CopperLine® Value kit provides two units with power supplies.

Bi-color (Red/Green) LED indicators are provided for rapidly ascertaining equipment operating status. **Step 5 on Page 3** describes the LED indicators for each light on the unit.

The CLER1EOC/M mini units are stand-alone, or may be DIN-rail mounted by the addition of ComNet model DINBKT4 adaptor. See **Figure A on Page 4** for mounting instructions.

FIGURE 1 – CLE(L,R)1EOC/M MINI SINGLE CHANNEL COAX UNIT

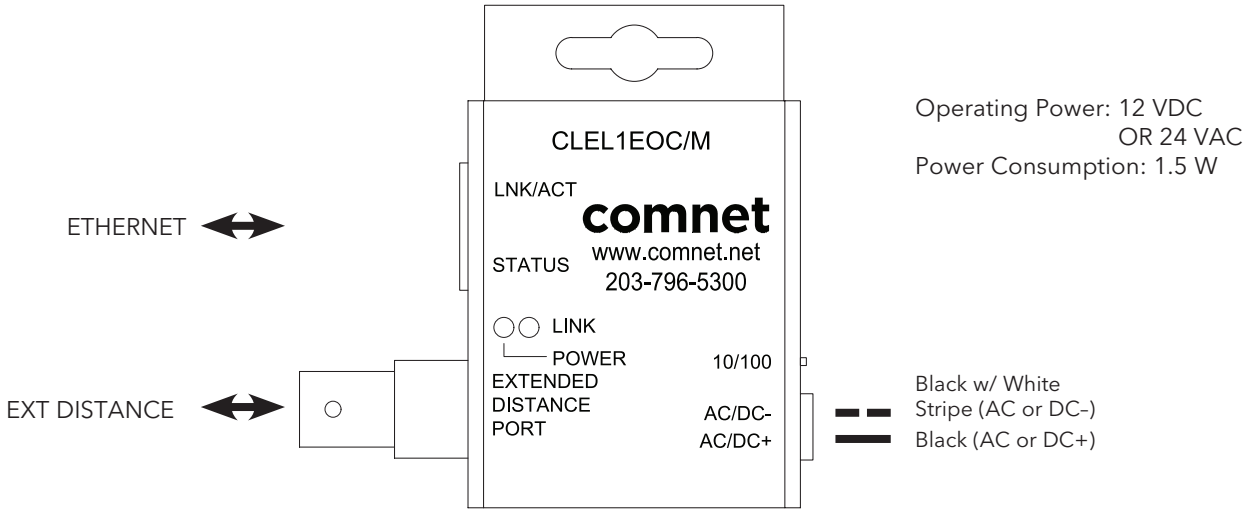
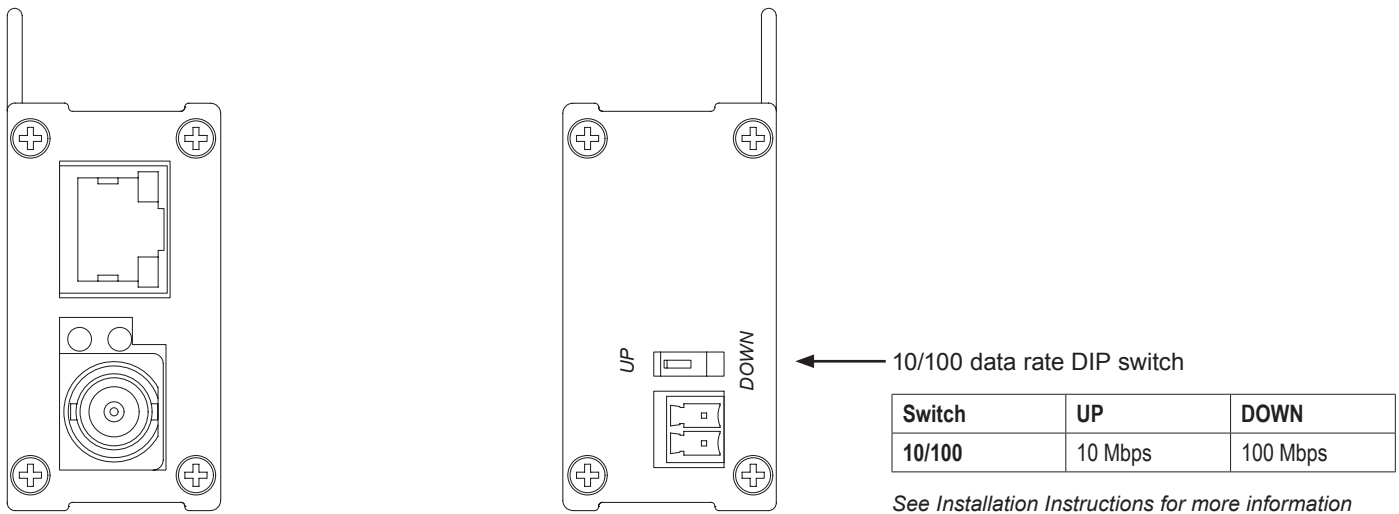


FIGURE 2 – CLE(L,R)1EOC/M MINI SINGLE CHANNEL COAX UNIT



**INSTALLATION INSTRUCTIONS**

**1 - SET 10/100 SWITCH**

Locate the 10/100 data rate DIP switch on the unit.  
Set the data rate according to bandwidth required.

**NOTE: The data rate must be set the same on both the local and remote units.**

**2 - CONNECT EXTENDED WIRING**

Connect Extended Distance Port to field wiring.

**3 - CONNECT NETWORK WIRING**

Using CAT5/5e, connect Local unit to network and Remote unit to camera.

**4 - CONNECT POWER**

Connect power to unit per the following table:

Power Connections per Use Case

Unit	Local Power
CLEL1EOC/M	12 VDC or 24 VAC
CLER1EOC/M	12 VDC or 24 VAC

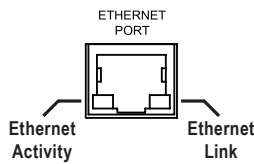
† Contact ComNet pre-sales support, or refer to the appropriate installation and operation manual when configuring and specifying power for a deployment.

**5 - VERIFY FUNCTIONALITY**

See LED table below and Troubleshooting Guide if corrective action is needed. See figures beginning on page 6 for LED configurations for each model.

Indicating LEDs

	POWER	LINK	Ethernet Link	Ethernet Activity
<b>GREEN</b>	Power Applied	10Mbps	–	Activity Detected
<b>YELLOW</b>	–	100Mbps	Link Established	–
<b>OFF</b>	Power Off	No Link	No Link	No Activity



**TROUBLESHOOTING GUIDE**

Problem	Steps to Take
Indicating LEDs not lighting	Check that power is properly applied to the unit
No Communication	Check Ethernet Link LEDs, Extended Link LEDs, All Connections, and 10/100 switches are set properly. Verify that Local units are installed at the head end and that Remote units are installed in the field.
Bad Video	Make sure Data Rate Switch is set properly.

**PRODUCT DIMENSIONS**

The CLER1EOC/M is supplied as a standalone/surface mount (mini size) module. The CLEL4EOC is supplied as a standalone/surface/rack (ComFit) module.

**INSTALLATION CONSIDERATIONS**

These units are supplied as Standalone/Rack mounted module. Units should be installed in dry locations protected from extremes of temperature and humidity.

**WARNING:** Unit is to be used with a Listed Class 2 power supply.

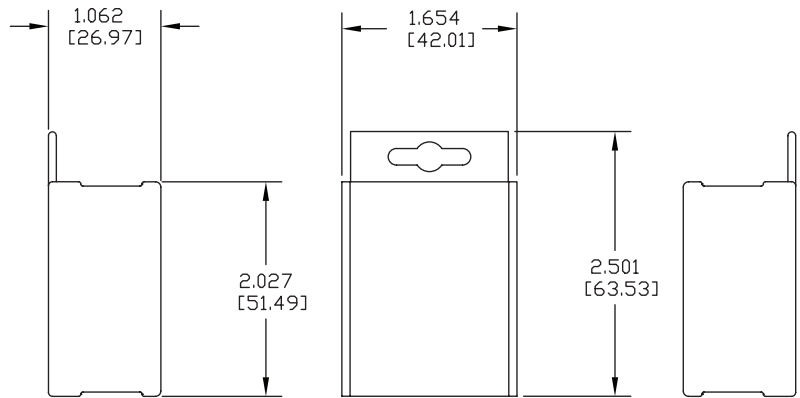
**IMPORTANT SAFEGUARDS:**

**A) Elevated Operating Ambient** - If installed in a closed or multi-unit rack assembly, the operating ambient temperature of the rack environment may be greater than room ambient. Therefore, consideration should be given to installing the equipment in an environment compatible with the maximum ambient temperature ( $T_{ma}$ ) specified by the manufacturer.

**B) Reduced Air Flow** - Installation of the equipment in a rack should be such that the amount of air flow required for safe operation of the equipment is not compromised.

**FIGURE A**

*Dimensions are for a mini size module*



3 CORPORATE DRIVE | DANBURY, CONNECTICUT 06810 | USA | T: 203.796.5300 | F: 203.796.5303 | TECH SUPPORT: 1.888.678.9427 | INFO@COMNET.NET  
 8 TURNBERRY PARK ROAD | GILDERSOME | MORLEY | LEEDS, UK LS27 7LE | T: +44 (0)113 307 6400 | F: +44 (0)113 253 7462 | INFO-EUROPE@COMNET.NET

© 2015 Communication Networks. All Rights Reserved. "ComNet," the "ComNet Logo," "CopperLine," and the "CopperLine Logo" are registered trademarks of Communication Networks.