

# VH-001

*dvd/vhs/satellite receiver holder*

## Product Features:

holds most dvd players, VCR's, satellite receivers and DVR's

opens 10.75" to 17.75" (left to right)

top clamp adjusts 3" to 5.375" (top to bottom)

overall height is 5.875" (inside to inside)

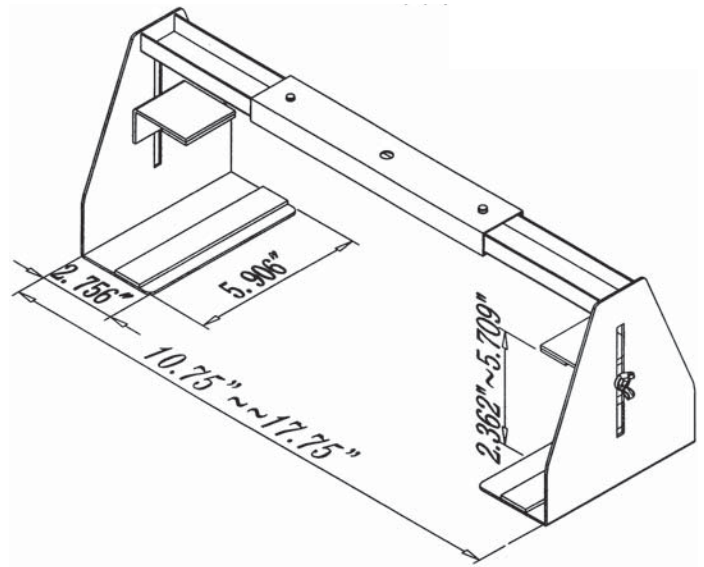
black powder coat finish

also available in silver finish (model VH-001S)

## Product Specifications:

*(for Architects & Engineers)*

The dvd/vhs/satellite receiver holder be a Video Mount Products (VMP) model VH00-1. The holding clamp shall adjust from 1" to 5.375" (top to bottom), and the holder shall adjust from 10.76" to 17.75" (left to right). The mount shall be able to attach to most Video Mount Product models.



**SURVEILLANCE**  
VIDEO .COM

**800.955.5201**

Email: [sales@Surveillance-Video.com](mailto:sales@Surveillance-Video.com)