

# KBD-Universal XF

www.boschsecurity.com



**BOSCH**  
Invented for life



- ▶ USB keyboard for managing Bosch Video Management System, Building Integration System (BIS) with Video Engine, or DIVAR IP systems
- ▶ With joystick and jog shuttle
- ▶ USB powered
- ▶ All important functions of the Bosch Video Management System GUI can be controlled
- ▶ Easy to install and use, for right- and left-handed operators

With the new KBD-Universal XF keyboard Bosch introduces an additional way to control Bosch Video Management System (Bosch VMS), Building Integration System (BIS) with Video Engine, DIVAR IP 3000, and DIVAR IP 7000. User that already have experience with the typical DVR control can now use this keyboard to execute the typical DVR functions on a modern “Video-over-IP” management system.

The keyboard comes with jog shuttle, joystick 38 backlit keys, alarm buzzer, and allows the management of your video-over-IP devices which are used in a Bosch VMS or DIVAR IP system.

Emulating a 4-axis HID joystick it allows smooth PTZ operation. The device can also be used together with ordinary PC peripheral devices such as keyboards, mouse, joysticks or other accessories.

KBD-Universal XF is USB powered and so requires only one cable.

It can be turned round so that both right- and left-handed users can use all the functions with ease.

This simple, user-friendly and fully implementable keyboard allows a comfortable and intuitive management of CCTV applications from PC.

It is optimized for Bosch Video Management System use cases.

For use cases with BIS - Video Engine a special printable keyboard layout is included in the BIS delivery.

## Certifications and approvals

### Certifications

#### Number

EN55022 Class B

EN50130-4

EN61000-6-3

EN60950-1

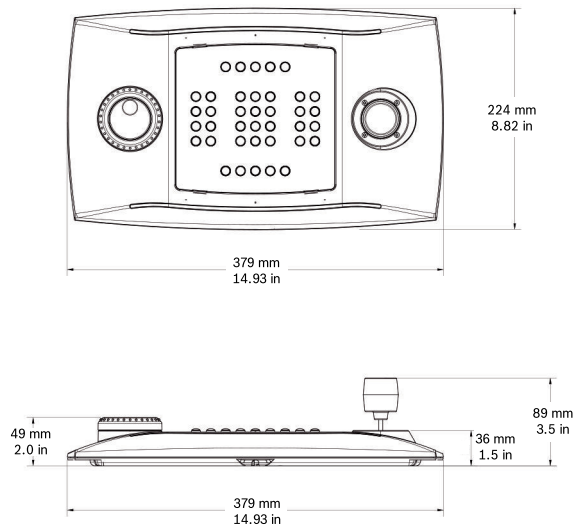
FCC part 15 Class B

### Approvals

Region	Certification	
Europe	CE	KBD-Universal XF
USA	UL	Bosch UL online certifications directory 2(link)

## Installation/configuration notes

### Dimensions



### Parts included

Quantity	Component
1	KBD-Universal XF
1	Installation driver
1	Quick Installation Guide
1	Installation Manual

### Technical specifications

General	
	38 backlit rubber keys
	Alarm buzzer
Mechanical	
Dimensions (H x W x D)	89 x 379 x 224 mm (3.5 x 15 x 8.8 in)
Weight	1.4 kg (3 lb)
Length of cable supplied	Approx. 1 m (39 in)*
	* An internal connector allows the customer to replace the cable with a longer or shorter standard USB A-B cable.
Electrical	
Power	Via USB port
Consumption	350 mA max

### Communications

USB 2.0

### Protocols

Dedicated Virtual Com Port protocol

Joystick HID 4-axis emulation

### Operating system

Windows 2000, Windows XP, Windows Server, Windows Vista, Windows 7, Windows 8

Drivers available on [www.boschsecurity.com](http://www.boschsecurity.com). Select your region and country. Select the product catalog. Start a search for your product. Select the product in the search results to show the existing product. Click the Downloads tab.

### Environmental

Indoor

Operating temperature 0 °C to +45 °C (+32 °F to +113 °F)

### Ordering information

#### KBD-Universal XF Keyboard

USB CCTV-oriented keyboard for use with Bosch Video Management System, BIS - Video Engine, or DIVAR IP systems

Order number **KBD-UXF**

**Represented by:**

**Americas:**

Bosch Security Systems, Inc.  
130 Perinton Parkway  
Fairport, New York, 14450, USA  
Phone: +1 800 289 0096  
Fax: +1 585 223 9180  
security.sales@us.bosch.com  
www.boschsecurity.us

**Europe, Middle East, Africa:**

Bosch Security Systems B.V.  
P.O. Box 80002  
5617 BA Eindhoven, The Netherlands  
Phone: + 31 40 2577 284  
Fax: +31 40 2577 330  
emea.securitysystems@bosch.com  
www.boschsecurity.com

**Asia-Pacific:**

Robert Bosch (SEA) Pte Ltd, Security  
Systems  
11 Bishan Street 21  
Singapore 573943  
Phone: +65 6571 2808  
Fax: +65 6571 2699  
apr.securitysystems@bosch.com  
www.boschsecurity.asia

**China:**

Bosch (Shanghai) Security Systems Ltd.  
201 Building, No. 333 Fuquan Road  
North IBP  
Changning District, Shanghai  
200335 China  
Phone +86 21 22181111  
Fax: +86 21 22182398  
www.boschsecurity.com.cn

**America Latina:**

Robert Bosch Ltda Security Systems Division  
Via Anhanguera, Km 98  
CEP 13065-900  
Campinas, Sao Paulo, Brazil  
Phone: +55 19 2103 2860  
Fax: +55 19 2103 2862  
latam.boschsecurity@bosch.com  
www.boschsecurity.com