

# PFA130

## Junction Box



### Features

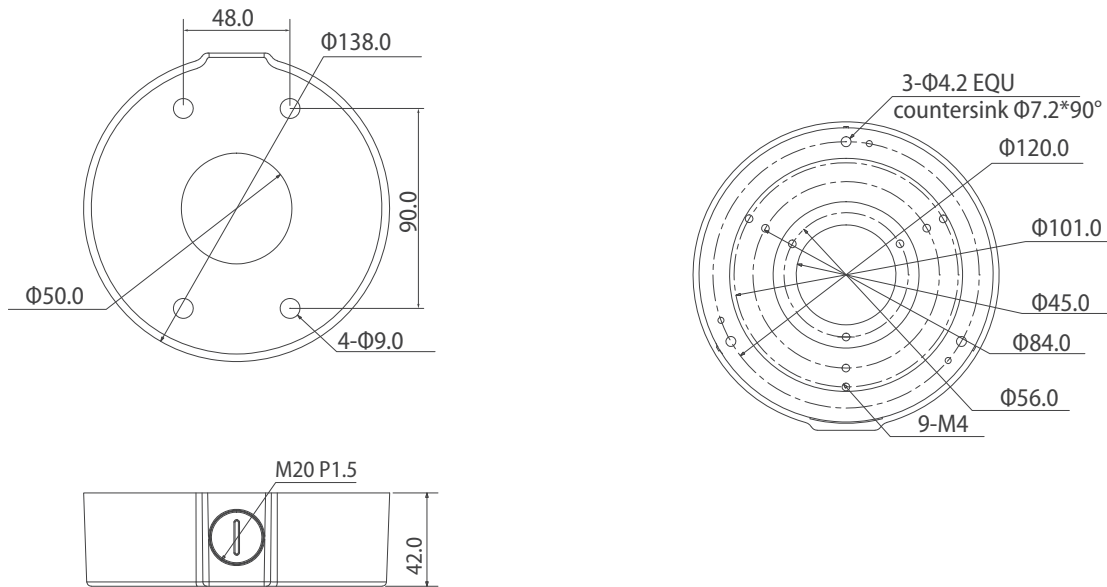
- Material: Aluminum & SECC
- Junction Box
- Neat & Integrated design

### Specifications

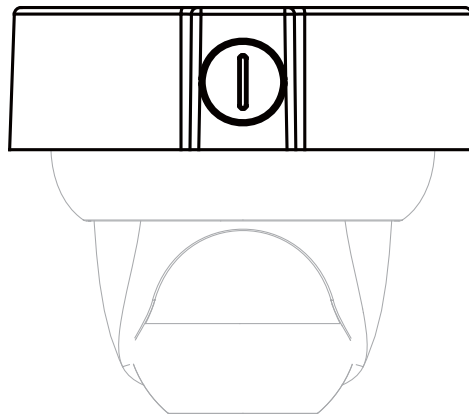
<b>Model</b>	<b>PFA130</b>
<b>General</b>	
Material	Aluminum & SECC
Product Dimension	φ138mm x 42mm
Pipe Thread	M20(G1/2")
Operating Temperature	-40°C ~60°C
Humidity	0~90% RH
Load Bearing	3.0Kg
Weight	0.4kg
Applicable Model	Please see "Accessory Selection"

# PFA130

## Dimensions (mm)



## Application



### Winic Technologies USA Inc.

42 Central avenue, Farmingdale, New York 11735

Tel: +631-396-0800

Fax: +631-396-0805

Email: sales@winictech.com

www.winictech.com

\*Design and specifications are subject to change without notice.