

Specifications:

Input:

- 115VAC 50/60Hz, .95 amp.

Output:

- 24VAC @ 4 amp or 28VAC @ 3.5 amp supply current.
 - In-line fuse ia rated @ 3.5 amp/250V.
- 220VAC models are available upon request.

Installation Instructions:

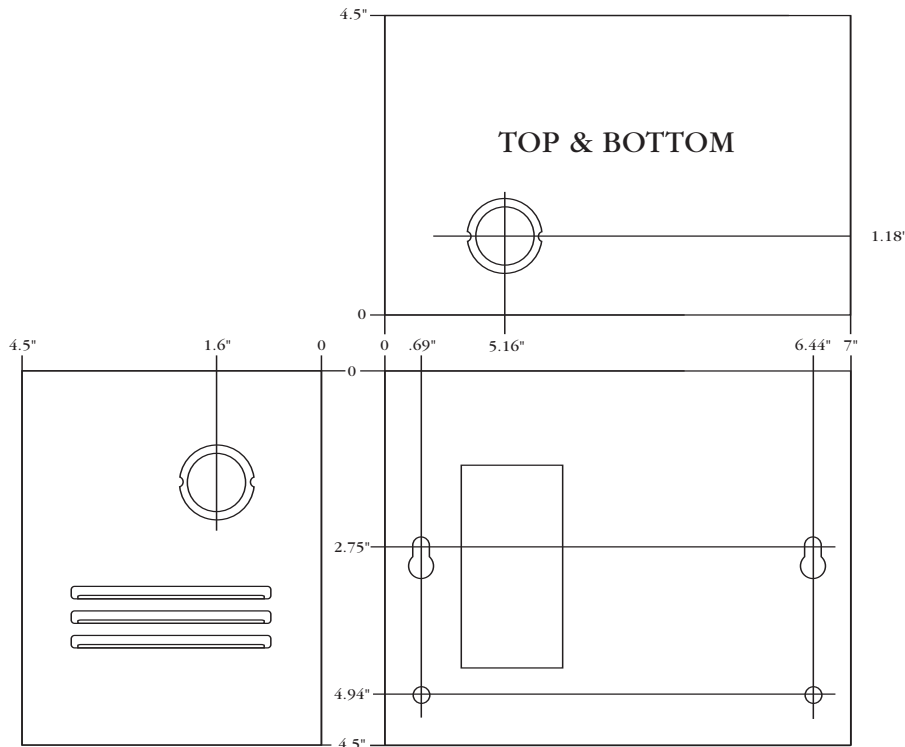
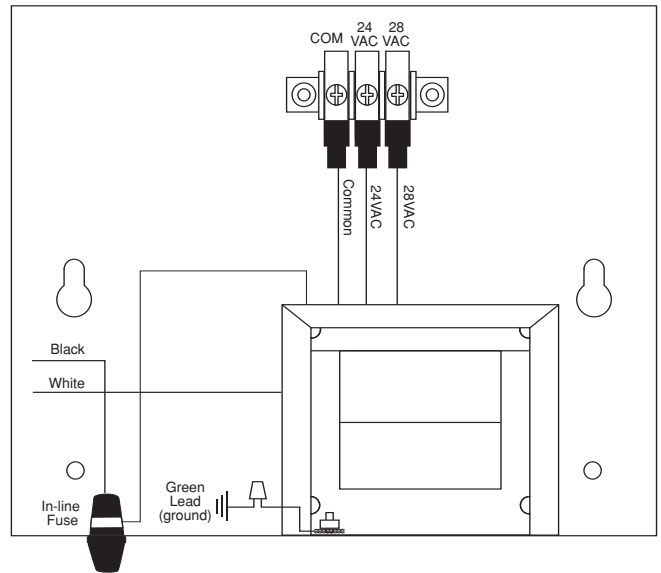
1. Mount T2428100C in desired location.
2. Connect the AC (115VAC 50/60 Hz) to the black and white flying leads of the transformer (Fig. 1).
3. Measure output voltage before connecting device. This helps avoid potential damage.

WARNING: This installation should be made by qualified service personnel and should conform to all local codes and in accordance with the National Electrical Codes.

Enclosure Dimensions:

5.75"H x 7"W x 4.5"D

Low Voltage AC Output



Altronix is not responsible for any typographical errors. Product specifications are subject to change without notice.