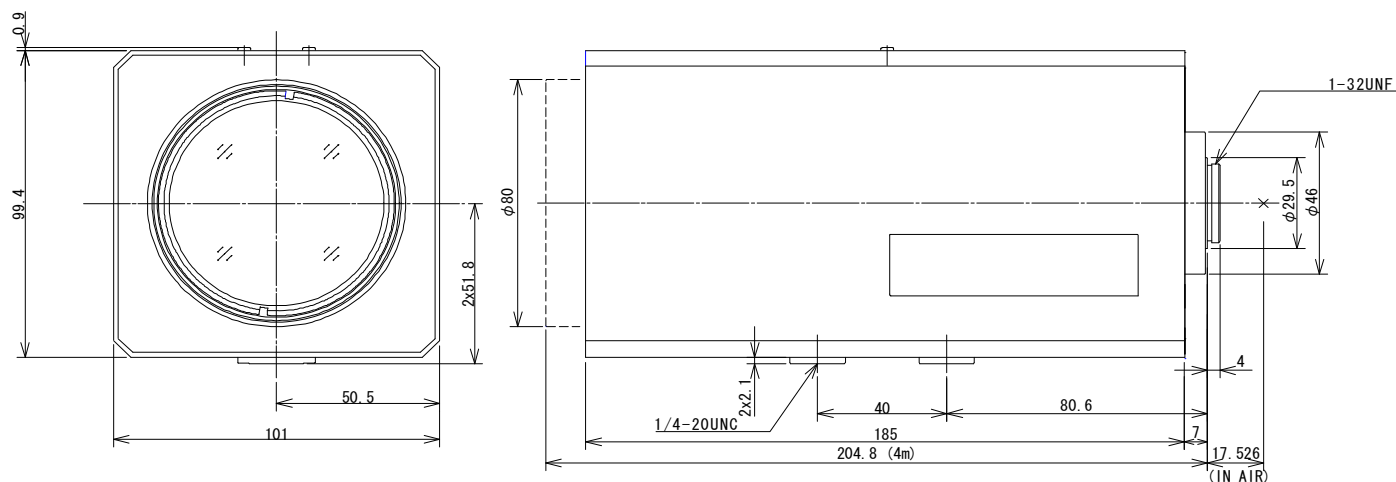


computar E24Z1018MS-MPIR

24X 10mm-240mm F1.8 Day & Night
for 1/1.8 type 3 Megapixel Cameras, Motorized Zoom
C-Mount

| | | | | | | | |
|-----------------------|------------------|--------------|--------------------|----------|------------------------------|----------|--------------|
| Model No. | E24Z1018MS-MPIR | | Effective | Front | ϕ 66mm | | |
| Focal Length | 10mm - 240mm | | Lens Aperture | Rear | ϕ 14mm | | |
| Max. Aperture Ratio | 1:1.8 | | Back Focal Length | | 14.1mm | | |
| Max. Image Circle | ϕ 8.9mm | | Flange Back Length | | 17.526mm | | |
| Operation Range | Iris | F1.8 - F500C | Mount | | C-Mount | | |
| | Focus | 4m - Inf. | Filter Size | | M77 P=1mm | | |
| | Zoom | 10mm - 240mm | Tripod Screw | | 1/4 -20UNC | | |
| Control | Iris | Motorized | Dimensions | | W101mm x H102.4mm x D204.8mm | | |
| | Focus | Motorized | Weight | | 2200g | | |
| | Zoom | Motorized | | | | | |
| Angle of View | D | 1/1.8 type | 48.4° - 2.2° | 1/2 type | 43.7° - 2.0° | 1/3 type | 33.0° - 1.5° |
| | H | (4:3) | 39.0° - 1.7° | (4:3) | 35.2° - 1.6° | (4:3) | 26.5° - 1.2° |
| | V | | 29.5° - 1.3° | | 26.5° - 1.2° | | 19.9° - 0.9° |
| | | | | | | | |
| | Iris | Focus | | Zoom | | | |
| Supply Voltage | DC6V | | DC6V | | DC6V | | |
| Current | 90mA or less | | 90mA or less | | 90mA or less | | |
| Response Time | Approx. 4.5 sec. | | Approx. 6.5 sec. | | Approx. 6.5 sec. | | |
| Operating Temperature | -10°C - +50°C | | | | | | |

Dimensions



Wiring Diagram

