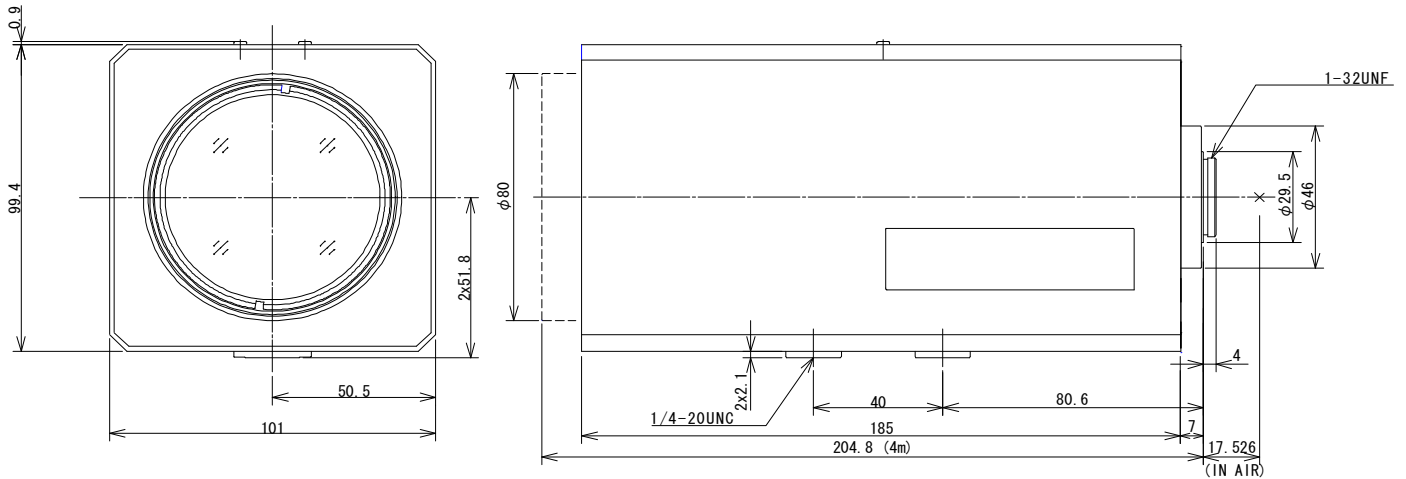


**24X 10mm-240mm F1.8 Day & Night  
for 1/1.8 type 3 Megapixel Cameras, Motorized Zoom  
C-Mount**

Model No.	E24Z1018M-MPIR		Effective	Front	$\phi$ 66mm		
Focal Length	10mm - 240mm		Lens Aperture	Rear	$\phi$ 14mm		
Max. Aperture Ratio	1:1.8		Back Focal Length		14.1mm		
Max. Image Circle	$\phi$ 8.9mm		Flange Back Length		17.526mm		
Operation Range	Iris	F1.8 - F22C	Mount		C-Mount		
	Focus	4m - Inf.	Filter Size		M77 P=1mm		
	Zoom	10mm - 240mm	Tripod Screw		1/4 -20UNC		
Control	Iris	Motorized	Dimensions		W101mm x H102.4mm x D204.8mm		
	Focus	Motorized	Weight		2160g		
	Zoom	Motorized					
Angle of View	D	1/1.8 type (4:3)	48.4° - 2.2°	1/2 type (4:3)	43.7° - 2.0°	1/3 type (4:3)	33.0° - 1.5°
	H		39.0° - 1.7°		35.2° - 1.6°		26.5° - 1.2°
	V	29.5° - 1.3°	26.5° - 1.2°			19.9° - 0.9°	
			Iris	Focus	Zoom		
Supply Voltage	DC6V		DC6V	DC6V			
Current	90mA or less		90mA or less	90mA or less			
Response Time	Approx. 4.5 sec.		Approx. 6.5 sec.	Approx. 6.5 sec.			
Operating Temperature	-10°C - +50°C						

## Dimensions



## Wiring Diagram

