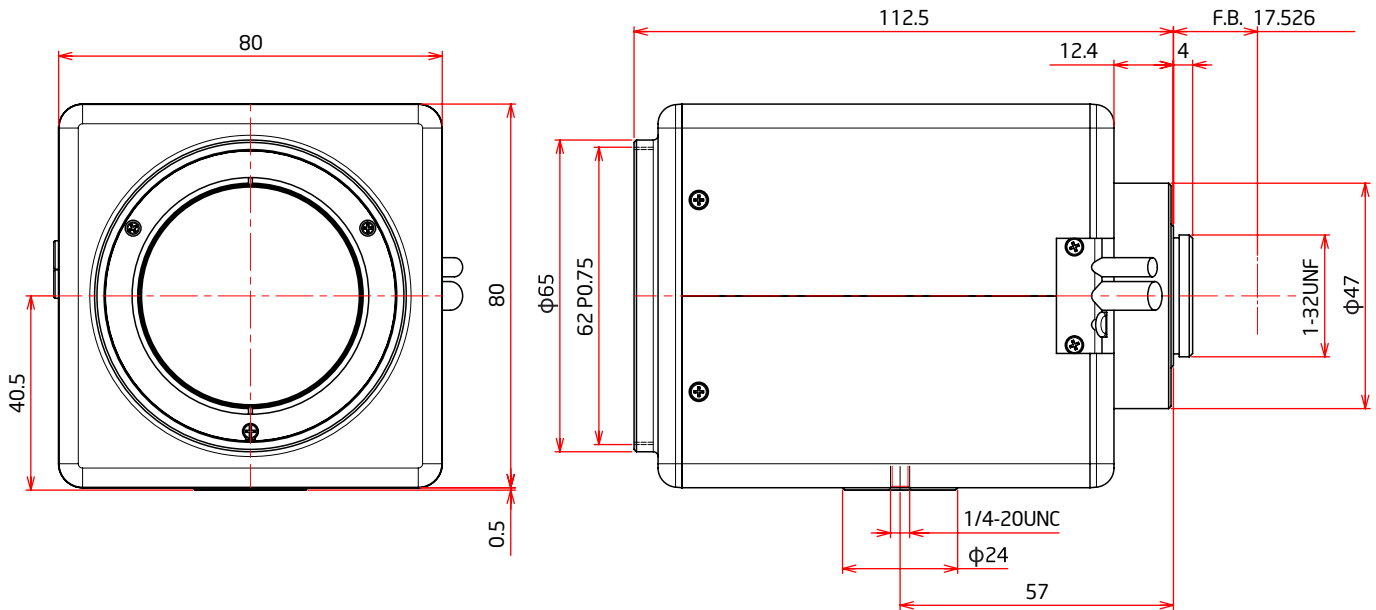


SPECIFICATIONS

Focal Length	24 - 65mm	Resolution	Corresponding to 5.5 μm
Maximum Relative Aperture	1:2.0	Flange Back	17.526 mm
Iris	F2.0 - Close (No F drop)	Operation	Focus Motorized (DC ± 6.4V, Max. 45 mA)
Zoom Ratio	2.7 X		Zoom Motorized (DC ± 6.4V, Max. 45 mA)
Angular Field of View	30.5° x 22.9° at 24 mm 11.2° x 8.4° at 65 mm		Iris Motorized (DC ± 6.4V, Max. 45 mA)
Image Format	12.8 x 9.6mm (Ø 16 mm)	Operation Temperature	- 10 °C ~ 50 °C / 14 °F ~ 122 °F
Minimum Object Distance	7 m (From Front Vertex)	Mount	C-Mount (Adjustable Lens Position)
Object Dimensions at M.O.D.	3822 x 2837 mm at 24 mm 1370 x 1030 mm at 65 mm	Front Thread	62mm P0.75
Optical Back Focal Distance	23.29mm (In Air)	Size, Weight	Ø65 x 80.5(W) x 80(H) x 112.5(D) mm

DIMENSIONS

UNIT: mm



CIRCUIT DIAGRAM

