

WHITE-LIGHT PRODUCT RANGE

The RL300 is the latest generation of the RAYLUX series, **designed specifically to work in conjunction with dome cameras.** RL300 provides World class performance, long life and zero maintenance. RL300 incorporates the very latest surface mount LED's to deliver excellent night-time pictures with improved optical output and outstanding reliability.

Ultimate Adaptive Illumination™ provides maximum flexibility to alter the angle of illumination on site to suit specific security needs. RAYLUX illuminators are also purpose designed to provide even output illumination.

Each unit is fitted with Active LED Life Control to carefully control LED output, delivering consistent illumination power and a projected working life of 10 years.

RAYLUX illuminators are supplied with bracket and power supply. Control features on the power supply include adjustable power output, photocell and telemetry control. RL300 is suitable for all low light installations using colour cameras.



ULTIMATE ADAPTIVE ILLUMINATION™:



Narrow Angle



Wide Angle

WHITE-LIGHT IN USE:



White-Light off



White-Light on

POWERFUL

- Distances up to 240m (787ft)
- **PLATINUM[®]** LED technology
- 180° coverage up to 56m (184ft)
- 360° coverage with only 2 units

FLEXIBLE

- Ultimate Adaptive Illumination™
- Various Angles (10° to 180°+)
- Fully Controllable Power Supply

RELIABLE

- 10 year life
- Active LED Life Control
- Vandal Resistant

CONTROLLED

- Excellent Colour Rendition
- Even Output Illumination
- Low Running Costs

Version 3.1

APPLICATIONS





ADAPTIVE ILLUMINATION™

Designed for RAYMAX Infra-Red and RAYLUX White-Light illuminators, Adaptive Illumination™ allows the installer to adjust the angle of the light projection from a single unit to fit the specific demands of any installation. Adjustment is quick and convenient and any angle up to 180 degrees (depending on model) is easily selectable. Adaptive Illumination is patent pending technology available exclusively from Raytec.



ACTIVE LED LIFE CONTROL

All Raytec illuminators employ cutting edge materials science techniques to improve thermal efficiency throughout the unit and ensure continuity of LED power. The New Advanced Cool Running™ system draws heat away from the LEDs, shielding the LED from abnormal stress, and allows Raytec LED products to deliver outstanding performance and consistency of illumination throughout the operational life of the illuminator.



PLATINUM ADVANCED SMT LED TECHNOLOGY

PLATINUM illuminators integrate cutting-edge SMT LED technology, light intensification miniature optics and an enhanced Cool Running™ thermal management system into a single high performance LED. The result is World leading power, reliability and flexibility.



VANDAL RESISTANT

The polycarbonate lens design protects against severe blows from crowbars, baseball bats and can even withstand successive shots from air pistols and rifles (range dependant).



ENERGY SAVING


All Raytec illuminators use high efficiency LED's and advanced control methods to deliver extremely low electrical consumption. Raytec illuminators are energy saving and deliver huge savings in running costs compared to traditional bulb illuminators.



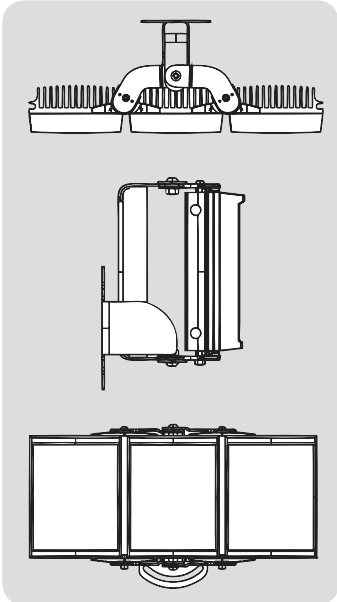
HIGH DEFINITION LIGHTING

High Definition Lighting allows cameras to provide crystal clear, high signal images during the hours of darkness. The breakthrough in HD lighting is made possible with Raytec's high power LED technology delivering increased power on scene.

5 YEAR WARRANTY
 All Raytec CCTV illuminators are provided with a 5 year warranty, unmatched anywhere in the CCTV lighting industry. Raytec illuminators provide guaranteed long life!



TECHNICAL SPECIFICATIONS



<p>ILLUMINATOR</p> <p><i>Max Distance:</i> up to 240m (787ft)</p> <p><i>Angle:</i> Various - See Part Codes</p> <p><i>Optics:</i> SMT LED's</p> <p><i>Consumption:</i> 120W max</p> <p><i>Voltage:</i> 14V current controlled</p> <p><i>Weight:</i> 6kg (13.2lbs)</p> <p><i>Environmental:</i> IP66</p> <p><i>Temp Range:</i> -50 to +50°C (-58 to 122°F)</p> <p><i>Cable Length:</i> 2.5m</p> <p><i>Colour:</i> Silver</p> <p><i>Wavelength:</i> White-Light</p> <p><i>Dimensions:</i> 420 x 195 x 66mm 16" x 8" x 3" approx</p> <p>BRACKETRY U Bracket and Adaptive Illumination bracket included.</p>	<p>POWER SUPPLY</p> <p><i>Input:</i> Universal 100-240V AC auto-sensing</p> <p><i>Output:</i> 120W max</p> <p><i>Temperature:</i> -50 to +50°C (-58 to 122°F)</p> <p><i>Weight:</i> 2.4kg (5.3lbs)</p> <p><i>Dimensions:</i> 240mm x 160mm x 81mm 9" x 6" x 3" approx</p> <p>Standard PSU (included) Adjustable photocell Adjustable power output for IR Telemetry Control</p> <p>Premium PSU (add ~PR to part code) All standard PSU features PLUS: Photocell following contact for switching of dual mode cameras 12V dc output to power cameras</p> <p>Pulsed PSU (add ~PU to part code) To pulse Raytec lights in sync with cameras. Power Adjustment Video In and Video Out connections to sync light and camera, 12V dc output to power cameras</p>
---	---

PART CODES & DISTANCES		NARROW ANGLE		WIDE ANGLE
RL300-AI-10	RAYLUX 300, 10-30 degree	AI, White-Light + PSU	240m (787ft)	140m (459ft)
RL300-AI-30	RAYLUX 300, 30-90 degree	AI, White-Light + PSU	130m (427ft)	74m (243ft)
RL300-AI-50	RAYLUX 300, 50-180 degree	AI, White-Light + PSU	90m (295ft)	56m (184ft)