

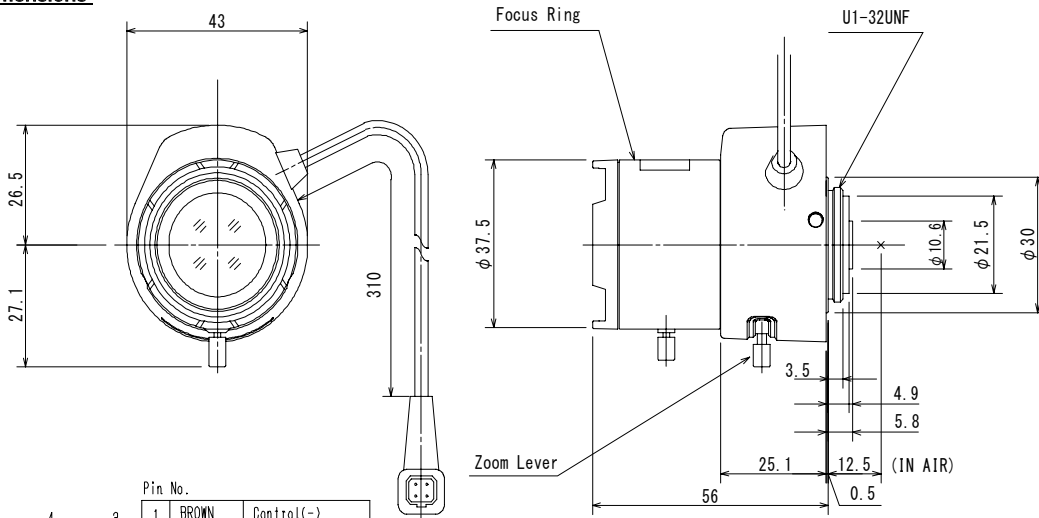
# TG4Z2816FCS-MPIR



**4X 2.8mm-12mm F1.6 Day & Night**  
**for 1/3 type 1.3 Mega pixel Cameras, Vari-focal Auto Iris DC Drive**  
**CS-Mount**

Model No.	TG4Z2816FCS-MPIR		Effective	Front	φ 23.0mm	
Focal Length	2.8mm - 12mm		Lens Aperture	Rear	φ 7.4mm	
Max. Aperture Ratio	1:1.3		Back Focal Length	Tele	19.2mm	
Max. Image Format	4.8mm x 3.6mm(φ 6mm)			Wide	7.2mm	
Operation Range	Iris	F1.6 - F360	Flange Back Length		12.5mm	
	Focus	0.3m - Inf.	Mount		CS-Mount	
	Zoom	2.8mm - 12mm	Filter Size		—	
Control	Iris	DC Auto Iris	Dimensions		φ 37.5mm x 48mm x 56mm	
	Focus	Manual	Weight		71g	
	Zoom	Manual				
Angle of View	D	1/3 type	133.0° - 29.7°	1/4 type	95.0° - 22.3°	
	H				74.2° - 17.8°	
	V				54.7° - 13.3°	
Coil	Drive	190 Ω / 20°C				
	Control	855 Ω / 20°C				
Operating Temperature	-10°C - +50°C					

## Dimensions



## Wiring Diagram



Specifications are subject to change without notice.