

Overview

The 3-BTSEN consists of a circuit breaker and copper bus bars mounted on a sheet metal bracket. The unit provides a backup battery bus for supplying backup power to multiple power supplies fed by a common battery. The 3-BTSEN features a 50 Amp circuit breaker to protect the backup battery. The 3-BTSEN mounts in the BC-1 Battery cabinet or any EST3 "RCC" series enclosure.

Standard Features

- 50 Amp circuit breaker
- 24 Vdc power distribution bus

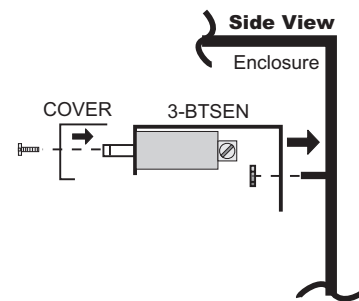
Application

The 3-BTSEN is designed to protect and distribute standby 24 Vdc from a large common battery to multiple power supplies in an EST3 cabinet.

Engineering Specification

Where a remote battery cabinet is required to house large standby batteries for the fire alarm system cabinet, the remote battery cabinet shall be equipped with a circuit breaker and distribution bus.

Mounting



Battery Distribution Unit

3-BTSEN



U.S.
T 888-378-2329
F 866-503-3996

Canada
T 519 376 2430
F 519 376 7258

Asia
T 852 2907 8108
F 852 2142 5063

Australia
T 61 3 9259 4700
F 61 3 9259 4799

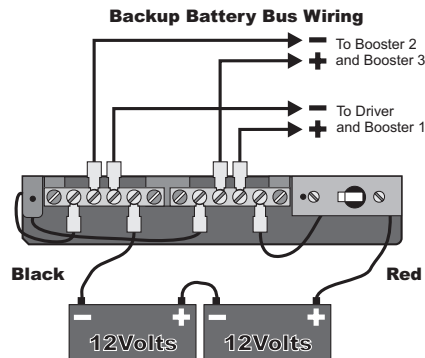
Europe
T 32 2 725 11 20
F 32 2 721 86 13

Latin America
T 305 593 4301
F 305 593 4300

www.gesecurity.com/est

© 2006 General Electric Company
All Rights Reserved

Typical Wiring



Allowable Wire Distance Per Pair Between Remote Battery Cabinet and Power Supplies

# of supplies fed by wiring	Wire Size			
	#18 AWG (0.75mm ²)	#16 AWG (1.0mm ²)	#14 AWG (1.5mm ²)	#12 AWG (2.5mm ²)
1	8.84 ft (2.7m)	14 ft (4.27m)	22.4 ft (6.83m)	35.4 ft (10.79m)
2	4.43 ft (1.35m)	7 ft (2.13m)	11.2 ft (3.41m)	17.7 ft (5.4M)

Specifications

Agency Listings	UL, ULC,
Mounting	BC-1 or "RCC Series" enclosures
Power Rating	50 Amps @ 24 Vdc
Power Bus Connections	#10-32 machine screws
Operating Environment	32°F (0°C) to 120°F (49°C), 93% RH, non-condensing

Ordering Information

Catalog Number	Description	Shipping Wt., lb (kg)
3-BTSEN	Battery Distribution Bus	1 (.45)



imagination at work