

www.GESecurity.com

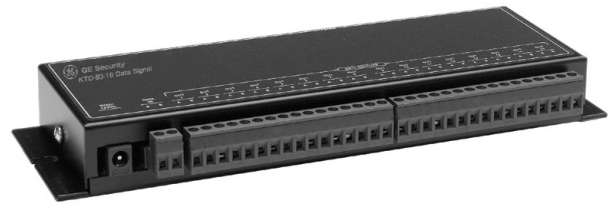
KTD-83-16 *Data Signal Distributor*

Overview

The KTD-83-16 is a data signal distributor that is designed for use in a Digiplex® system. It is used when an RS422 data signal must be dispersed along separate lines of two-conductor, twisted-pair cable. One signal input can be distributed among up to 16 outputs. The KTD-83-16 can also be used to reamplify RS422 signals that must travel excessive distances between the controller and receiver.

Outstanding Features

Cable connections are made on two removable, 16-position terminal strips. It can be powered from a 9 VAC/12 VDC source. The KTD-83-16 is constructed of aluminum and features a black anodized finish.



Standard Features

- **Distributes RS422 data signal**
- **1 input x 16 outputs**
- **Reamplifies signal on outputs 1 through 16**
- **Powered from a 9 VAC/12 VDC source**
- **Removable terminal strip for cable connections**
- **Compact design**



KTD-83-16

Data Signal Distributor

Specifications

Electrical

- Input voltage: 9 VAC/12 VDC
- Input power: 12.0 VA
- Input data signal: RS422
- Output signal (outputs 1 to 16): RS422 (Amplified to original level)

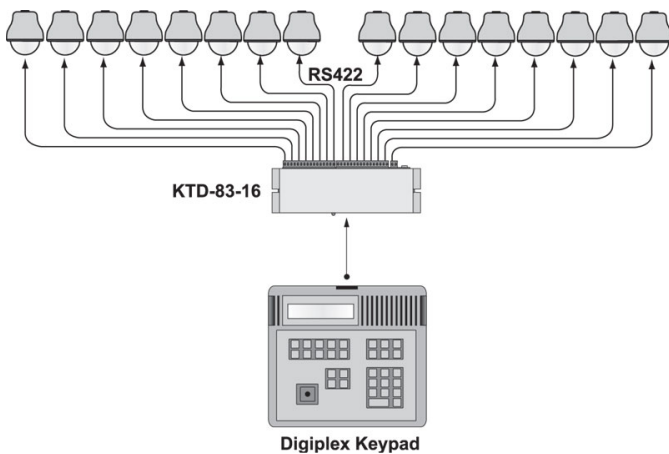
Connections

- Two 16-position removable terminal strips
- One 2-position removable terminal strips

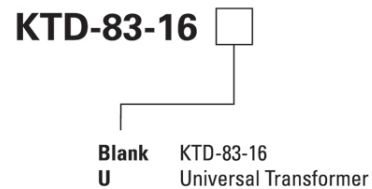
Mechanical

- Weight: 10.6 oz (299 g)
- Material: 0.050 in (1.27 mm) aluminum
- Finish: Black anodized

Related Diagram



Ordering Information



GE Security

Mailing Address
4575 Research Way, STE 250
Corvallis, OR 97333 USA
www.GESecurity.com

Americas
800-469-1676 (US only)
tel 541-754-9133
fax 541-754-7162

Asia
tel 852-2907-8108
fax 852-2142-5063
Australia
tel 61-3-9259-4700
fax 61-3-9259-4799

Europe
tel 32-2-725-11-20
fax 32-2-721-86-13
Latin America
tel 305-267-4301
fax 305-267-4300

www.GESecurity.com