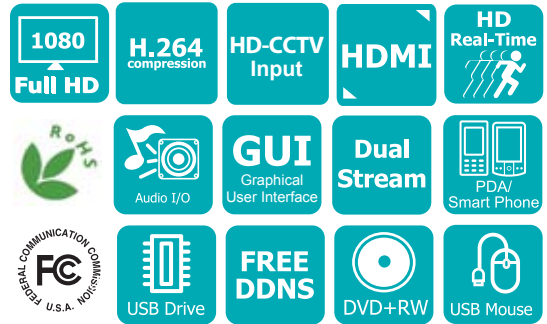


EPHD08 *NEW!* PARAGON® HD

8 Channel High Definition Real-Time Recording & Playback
Megapixel Video over Coax



HD CCTV

Features

- Choice of 1080p or 720p HD CCTV camera support for superlative image clarity
- SMTPE292M compliant
- H.264 compression format for efficient recording
- HD real time recording rate and playback rate for all cameras (at 720p)
- HDMI 1080p and VGA multiplex view main monitor outputs
- Simultaneous high resolution recording (1080p/720p) with reduced bandwidth remote view streaming
- MobileView support: check your home or business on-the-go from your PDA or SmartPhone. Also supports Safari®, iPhone® and Android™ apps
- Pentaplex operation (simultaneous live, recording, playback, archiving and remote viewing)
- Free EverFocus DDNS service – static IP address is not required for reliable remote access
- User friendly GUI with graphical icons and visual indicators
- Support for 4 fixed internal HDD and eSATA external HDD
- Multiple control inputs: mouse/front panel/IR remote controller/EKB500 keyboard
- Express setup: a unique menu option for quick & easy installation
- Express archive: archive video instantly (to USB) while playing back
- Express playback: simply point, click and drag the playback bar to view desired recordings
- Express search: use the intuitive playback bar with simple drag & drop operations
- Smart Search: quickly identify motion in areas of interest from recorded video
- Snapshot search: extract images from recorded video at specific intervals to quickly locate events
- Remote configuration support from the built-in web interface
- Gigabit Ethernet interface for remote network viewing and control
- On-screen PTZ control via mouse or front panel
- Per channel audio recording capabilities
- Built-in DVD burner
- 3 USB 2.0 ports for video archive and mouse usage
- Multi-language support
- 19" rack mountable – rack ears included

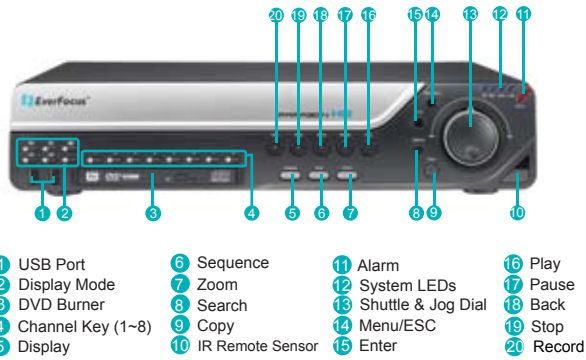
* Models vary in different countries. Visit www.everfocus.com and select your country for accurate ordering information

Specifications

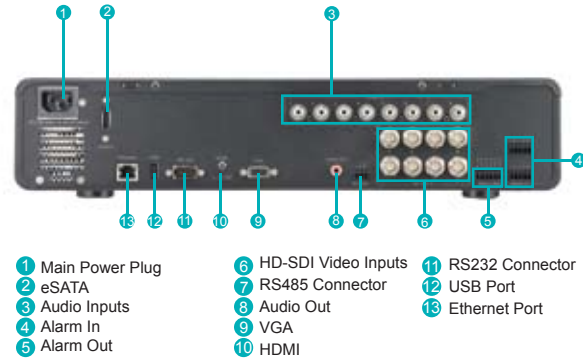
HD-CCTV Camera Video Inputs	8 BNC connectors (SMTPE292M)
Recording & Playback Rate/Resolution	120/100 FPS @ 1080p - 15/12.5 per channel (NTSC/PAL) 240/200 FPS @ 720p - 30/25 per channel (NTSC/PAL)
Recording Compression	H.264
Dual Streaming	Yes, conserves remote viewing bandwidth
Mobile Viewing on PDA/Smartphone	Yes, various platforms and browsers supported
Pentaplex Operation	Simultaneous Live, Recording, Playback, Archive and Remote Viewing
Video Output	Main Monitor 1080p HDMI socket (Type A 19 pin F) VGA: 1920x1080 @ 60Hz (D-Sub socket 15 pin F)
Audio Input/Output (RCA)	8 Inputs / 1 Output
Recording Mode	Manual, Schedule and Event
Playback Search	Date/Time & Event Search, Smart Search, Snapshot Search
Alarm In	8 Alarm Inputs
Alarm Out	2 Alarm Outputs – Form "C" rated at 30VDC, 1A
Video Pause	Yes
Video Loss Detection	Yes
Motion Detection	Yes
Event Log	Yes
Watch Dog Timer	Yes
Internal HDD	4 Internal HDDs
External HDD	1 eSATA
Built-in DVD Burner	Slim Type DVD Burner
User Interface	GUI (Graphical User Interface – easy mouse or front panel navigation)
OS	Embedded Linux
Network/Protocol	Gigabit Ethernet, TCP-IP/DHCP/PPPoE/DDNS/UDP/SMTP/SSL/HTTP
USB	3 USB 2.0 port (2 on Front Panel, 1 on Back Panel)
Schedule Setting	Supports Express and Advanced Schedule Setting
User Access	3 Levels of User Access Support
RS-232	9-pin D-Sub socket (male)
RS-485	1 RS485 (3 Terminal connector)
Power Source	100VAC~240VAC
Power Consumption	130 W max. with 4x HDDs
Dimensions (L x W x H)	410 x 430 x 88 mm / 16.2" x 16.9" x 3.5"
Temperature	0°C~40°C / 32°F~104°F (20~80% humidity)
Certificates	CE, FCC, UL (pending)
Supported PTZ Protocols	EverFocus, Pelco D, Pelco P, Samsung, Transparent

Major Operating Controls

Front Panel Design



Back Panel Design



*Front & back panel controls vary depending on models

Advantages

Stunning HD Clarity with Existing Coaxial

Get uncompressed full motion MEGAPIXEL DIGITAL video back to the EPHD08 over standard coaxial cable¹! Attach familiar BNC connectors on the HD-CCTV cameras and Paragon® HD EPHD08 DVR, then display live and recorded images in astounding detail on the HDMI main monitor screen. HD 1080p with 6 times the resolution of traditional cameras delivers the ability to zoom with clarity. HD images from these cameras are so detailed, each sends a 1.5Gb/s SMPTE292m uncompressed digital video signal over the coax; the Paragon® HD EPHD08 DVR can process the total of 12Gb/s from 8 cameras for live HD viewing and H.264 HD recording at 1080p (~2 megapixel @ 15 FPS/camera) or 720p (~1 megapixel @ 30 FPS/camera). Dedicated mega-bandwidth coax signal paths from each HD camera to the HD DVR eliminate the need for compression, addressing, and complex network design.

¹Up to 500' nominal on RG59; more with lower loss cable and/or optional repeaters



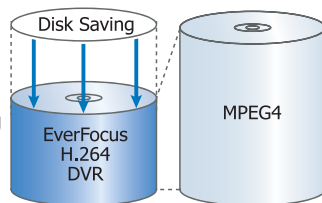
High Definition



Standard Definition

H.264 Compression Technology

H.264 compression technology is considered to be approximately 1.5 times more efficient in compression ratio than MPEG4. Another benefit from H.264 compression is the remote viewing of high quality images with lower LAN/WAN bandwidth utilization.



Video Streaming to Mobile Devices

The Paragon® HD EPHD08 DVR supports HTTP real time streaming for MAC Safari, FireFox and Opera on PCs, plus mobile monitoring, allowing you the capability to check your home or business on-the-go directly from a variety of web capable mobile devices – FREE! No additional servers or purchased programs required. EverFocus also offers a FREE MobileFocus app for iPhone® & Android™



Powerful Search with Smart Functions

By selecting among playback from a specific date and time; a list generated automatically in response to various types of alarms and events; or based on a 'Smart Search' review of recorded video to identify motion in area(s) of interest, users can quickly isolate incidents and play back relevant video for efficient review of significant activities.

Ordering Information**

** Check with your EverFocus sales rep for release date and availability

* Models vary in different countries. Visit www.everfocus.com and select your country for accurate ordering information