



SAMSUNG TECHWIN

See Farther & Wider

SLA-M-M21D is a high quality megapixel super wide angle lens, designed for M12 mount Samsung megapixel compact cameras, such as SNV-6012M, SNV-6013, it provides wider coverage to enhance your 24/7 security need.

SLA-M-M21D

MegaPixel Fixed Lens

- Super wide angle f2.1mm
- High quality megapixel resolution
- Easy to install



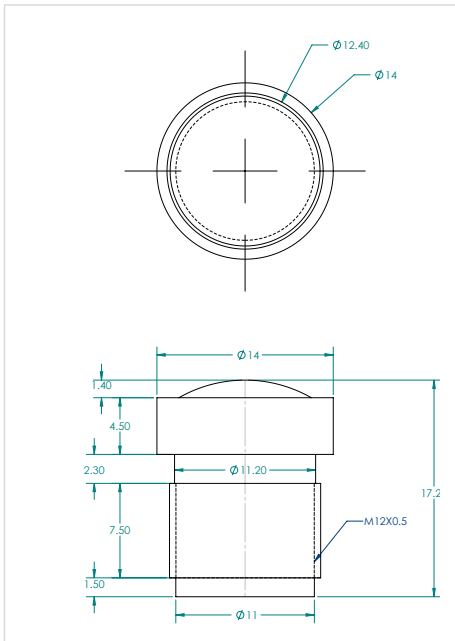
SLA-M-M21D

Specifications



Dimensions

Unit : mm (inch)



SLA-M-M21D	
Description	2.1mm, F1.8 Megapixel Wide Angle CCTV Lens
Focal length	2.1mm
Iris Range	F/1.8
Operation iris	Fixed
Operation zoom	Fixed
Operation focus	Variable
Angle Of View	145 degree horizontal View Angle (on 1/2.8" sensor)
Minimum object distance (M.O.D.)	Typically 1"
Focusing range (from front lens)	1"
Mount	M12 Mount (M12x0.5)
Mass in Weight	0.0125lbs (0.2 oz)
Package Weight	0.03125lbs (0.5 oz)



The Eco mark represents Samsung Techwin's will to create environment-friendly products, and indicates that the product satisfies the EU RoHS Directive.

Design and specifications are subject to change without notice.

■ DISTRIBUTED BY

SAMSUNG TECHWIN AMERICA Inc.
 100 Challenger Rd. Suite 700 Ridgely Park, NJ 07660
 Toll Free : +1-877-213-1222 Direct : +1-201-325-6920
 Fax : +1-201-373-0124



SAMSUNG TECHWIN