

# SSC-FM560

Analog Color Mini Dome Camera

**SONY**  
make.believe

## 700 TV Line Security Camera with Wide Dynamic Range

- Horizontal resolution of 700 TV lines (sharp mode)
- 3.7x variable focal lens
- Compact design
- True Day/Night function



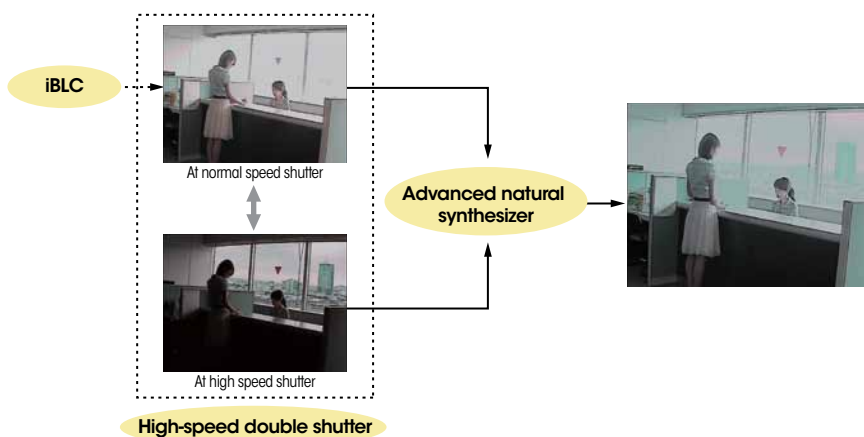
### KEY FEATURES

#### Wide Dynamic Range With DynaViewSX Technology

The SSC-FM560 incorporates DynaViewSX technology to capture high-contrast scenes and produce clear images even under challenging lighting environments. This means it can capture critical information that may have been missed by other cameras without such technology.

DynaViewSX technology consists of three sub-technologies:

- **High-speed double shutter** provides a wider shutter speed range compared to previous technologies so that the cameras can reproduce images with incredibly wide dynamic ranges.
- **iBLC** compensates for the exposure levels in dark scenes to improve the visibility of the subject.
- **Advanced natural synthesizer** plays an important role in minimizing synthesized noise, which occurs when combining two images of different shutter speeds.



#### Superb Picture Quality With Accurate Color Reproduction

Employing a Super HAD™ II CCD sensor, the SSC-FM560 offers a high horizontal resolution of 700 TV lines in sharp mode and produces amazingly clear and detailed images. Moreover, the cameras achieve a minimum illumination of 0.1 lx (F1.2, 50 IRE); therefore, the image quality under low-lighting conditions is great enough to enable round-the-clock security operations.

#### Noise Reduction

The SSC-FM560 incorporates Adaptive DNR (Digital Noise Reduction) technology, which helps to eliminate noise and motion blur to produce distinct and clear images. Adaptive DNR technology utilizes both an adaptive 2D filter and an adaptive 3D filter according to the AGC value to reduce noise.

#### New Three-hinge Structure

Easy and flexible camera angle adjustment can be achieved by a new three-hinge structure.



- a Panning
- b Tilting
- c Rotating

## True Day/Night Function

The SSC-FM560 cameras offer an True Day/Night function to provide optimized sensitivity in both day and night shooting scenarios. As the scene illumination reduces and the acquired image darkens, the infrared filter is automatically removed and the camera switches to B&W mode, requiring only a minimum illumination of 0.01 lx (F1.2, 50 IRE). In addition, the True Day/Night function can be initiated on demand through an external control signal for added flexibility.

## Wider Auto Tracing White Balance Range (ATW)

The ATW function automatically adjusts the camera's white balance to adapt to sudden changes in lighting conditions. The SSC-FM560 provides an extremely wide ATW range of 2,000 K to 10,000 K, allowing adjustment-free operation under a variety of lighting conditions.

## Back Light Compensation

In addition to DynaViewSX wide dynamic range mode, two additional choices are available, intelligent backlight compensation (iBLC) and Spot modes for increased flexibility.

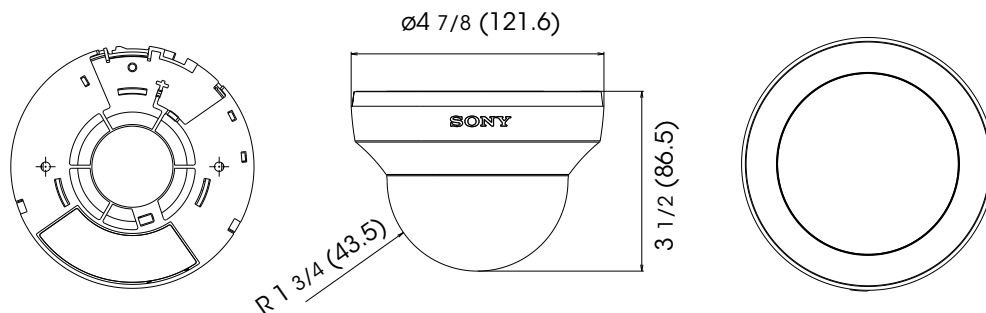
## Other Features

- Custom Template (ENTRANCE, OFFICE, PARKING, SUBWAY, LOBBY, and STATION)
- User Presets
- Variable Gamma Curve
- Two Setting Modes
- DC Servo Auto
- AC 24 V/DC 12 V operation
- Internal Lock/Line Lock
- Slow Shutter
- Digital Zoom

## SPECIFICATIONS

	SSC-FM560
<b>Camera</b>	
Image device	1/3-type Super HAD CCD II
Number of effective pixels (H x V)	480,000 pixels (976 x 494)
Signal system	NTSC standard
Horizontal resolution	700 TV lines (sharp mode)
S/N ratio	More than 55 dB (AGC Off)
Minimum illumination	Color: 0.1 lx, B/W: 0.01 lx (F1.2, 50 IRE) Color: 0.06 lx, B/W: 0.006 lx (F1.2, 30 IRE)
Video output	VBS:1.0 Vp-p
Synchronization	Internal/AC line lock selectable
Gain control	Auto (OFF/Normal/Turbo)/Manual
White balance	ATW/ATW-PRO/3200K/5600K/Manual
Lens type	Built-in variable focal lens
Zoom ratio	Optical 3.7x
Horizontal viewing angle	101.8 ° to 27.4 °
Focal length	f=2.8 to 10.5 mm
F Number	F1.2 (Wide end), F2.6 (Tele end)
Minimum object distance	300 mm (11 7/8 inches)
Iris	Auto
Panning range	355 degrees
Tilting range	±77 degrees
Swivel rotation	350 degrees
<b>Camera Features</b>	
Day/Night	Yes (True D/N)
Noise reduction	Yes (2DNR + 3DNR, Weak/Normal/Strong)
Back light compensation	OFF/DynaViewSX/iBLC/SPOT
Automatic tone reproduction	Yes (DynaViewSX mode only)
<b>General</b>	
Weight	11.3 oz (320 g)
Dimensions	ø4 7/8 x 3 1/2 inches (ø121.6 x 86.5 mm)
Power requirement	AC 24 V ±10%, DC 12 V ±10%
Power consumption	2.8 W
Operating temperature	14 °F to 122 °F (-10 °C to +50 °C)
Storage temperature	-40 °F to +140 °F (-40 °C to +60 °C)
Operating humidity	20% to 80%
Storage humidity	20% to 90%
Supplied accessories	Operating instructions x1, Menu instructions x1, Template x1
Optional accessories	YT-ICB140 In-ceiling Bracket

## DIMENSIONS



Unit: inches (mm)

© 2011 Sony Electronics Inc. All rights reserved.  
 Reproduction in whole or in part without written permission is prohibited.  
 Features and specifications are subject to change without notice.  
 Weights and measurements are approximate.  
 Sony, Super HAD, DynaViewSX and the Sony make.believe logo are trademarks of Sony.  
 All other trademarks are trademarks of their respective owners.