



5150 SERIES GLASSBREAK SHOCK SENSOR

On-the-Glass Sensor

Model number: 5150, 5150C



- **New low profile design**
- **Up to 10' (3 m) range on a single pane of glass**
- **Easy to use, field-proven 3M® adhesive mounting**
- **Detects all types of glass without adjustment**
- **Ideal for 24-hour loop protection**

The **5150 Series Shock Sensor** is a new line of glassbreak sensors with improved aesthetics. Its clean design makes the detector one of the most low profile sensors in the industry. Advanced piezo transducer technology powers the sensor, so no power is needed from the loop. Instead, the piezo generates its own electricity when it bends as the glass breaks. Bending of the transducer must occur for the sensor to go into alarm providing excellent false alarm immunity.

Specially formulated 3M® tape holds the shock sensor on the glass. The tape, which sets up quickly, has been field-tested for proven reliability. The sensor can be repositioned during the first five minutes of installation.

For up to 10' (3 m) of protection on a single pane of glass, the 5150 is ideal for small glass rooms, next to kitchen sinks, in high noise areas, in occupied factory and office environments, and in retrofit installations where only 2-wire protection is practical. The 5150 offers 24-hour perimeter detection and its on-the-glass mounting is a visual deterrent.

continued

Sentrol 5150 Series Shock Sensor

Specifications:

Electrical

Power consumption Self-generating on alarm
 Resistance
 Normal 14 ohms (24 ohms maximum)
 Alarm (open) 1 MegOhm minimum
 Maximum loop rating 10 V DC, 15 mA
 Loop configuration Closed loop
 Output Open 1 to 10 seconds on alarm

Environmental

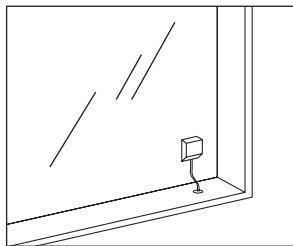
Lightning suppression 400 W for 1 msec pulse
 Operating temperatures 0°F to 120°F
 (-18°C to +50°C)

Features

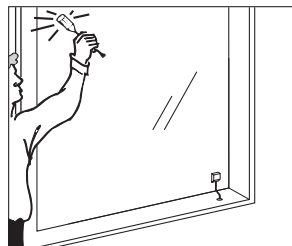
Housing material Flame retardant ABS plastic
 Sensitivity setting Factory set
 Range 10' (3 m)*
 Glass types detected
 Plate glass Up to 1/4" (.64 cm)
 Tempered glass Up to 1/4" (.64 cm)
 Wired glass Up to 1/4" (.64 cm)
 Laminated glass Up to 1/4" (.64 cm)
 Mounting location Corner mounted on glass
 Mounting method High bonding acrylic tape
 Dimensions 1.25" (3.2 cm) L
 1.25" (3.2 cm) W
 0.37" (0.74 cm) H
 Color Mahogany brown, White

*Less range on laminated glass

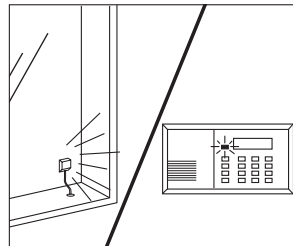
Reliable Range Verification Testing



Mount the sensor on the glass 1" (2.5 cm) in from the corner.



Strike far opposite corner of glass with screwdriver handle.

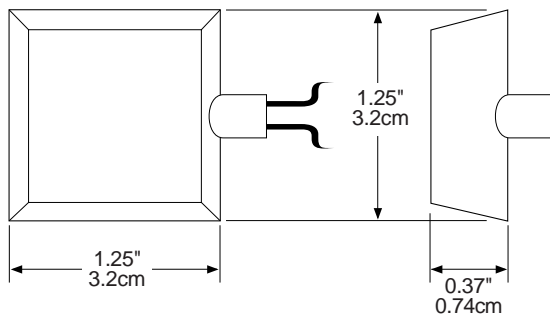


Sensor trips at panel or keypad verifying range for entire glass area.



Walk away with confidence.

Dimensions



Ordering Information

Description	Model Number	Color
Corner mount shock sensor, (up to 10') range, two wire, adhesive mount	5150-M	Mahogany brown
Corner mount shock sensor, (up to 10') range, two wire, adhesive mount	5150-W	White
Corner mount shock sensor, (up to 10') range, two wire, 3' (0.91 m) coil cord for doors and windows	5150C-M	Mahogany brown
Corner mount shock sensor, (up to 10') range, two wire, 3' (0.91 m) coil cord for doors and windows	5150C-W	White



SENTROL

CORPORATE HEADQUARTERS

12345 SW Leveton Dr., Tualatin, OR 97062
 Tel.: 503.692.4052 Fax: 503.691.7566
<http://www.sentrol.com>

U.S. & Canada: 800.547.2556
Technical Service: 800.648.7424
FaxBack: 800.483.2495

Sentrol reserves the right to change specifications without notice.

©1998 Sentrol

G-2881-FLG15K-0297
 Printed on recycled paper