



## CV-TACIP-100 SERIES

### INTEGRATED VOIP TELEPHONE ENTRY AND NETWORK ACCESS CONTROL SYSTEM

#### OVERVIEW



CV-TAC IP

Camden's TAC IP integrated telephone entry, access control and intercom system offers exceptional value, a full range of advanced system features and a rugged design for years of trouble free service. TAC IP utilizes the latest Internet technology to reduce telephone line charges (with built-in VOIP communications) and makes installation, administration and maintenance easier than ever before (with browser-based software).

TAC IP includes the widest range of panels, accessories and devices to provide a complete security solution for commercial and multi-unit residential buildings, with up to 2,000 users, and 32 access controlled doors and elevator control.

#### SYSTEM FEATURES

**Browser based software:** Google Chrome. No software to install or update.

**Intuitive graphic user interface:** TAC IP offers easy to understand and use installer and operator administration screens.

**Systems integration:** TAC IP is a fully integrated (networked) telephone entry, access control and intercom system utilizing a common management interface and database. Advanced features of the system include elevator control and concierge.

**VOIP Internet service:** allows for online programming and system diagnostics.

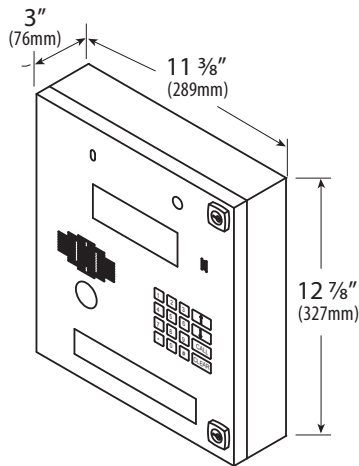
**Networked system:** Network up to 32 entry panels, card readers or elevator cabs (combined). Manage the system from a single PC.

**Master/Slave configuration:** Allows all resident data to be uploaded to all panels simultaneously.

**Detailed audit log:** 4,000 events. Records all telephone and access control events.

**Easy updates:** Import and export tenant directory data (CSV. file format)

**Mount Panel anywhere:** TAC IP telephone entry panels can be surface or semi-flush mounted, with a selection of trim rings, and feature a water resistant design. An optional heater is available for environments below +32°F (0°C).



CV-TAC IP

## TELEPHONE ENTRY FEATURES

**Elegant Design:** Telephone entry panels, with flush back-lit keys, are designed to be highly attractive while also providing exceptional vandal resistance.

**Large directory:** Backlit 4 line LCD display with up to 2,000 names.

**Sized For retrofit:** TAC IP telephone entry panels are designed to fit existing in-wall box size of Sentex, SES, Door King and Mircom panels. 2" and 4" wide stainless steel semi-flush mount trim rings also available.

**Greeting message:** Display a unique 20 character greeting.

**Postal lock:** Mounting posts and knock-out provided.

**VoIP technology:** Reduce the monthly phone charges while providing revolutionary new call management capabilities, including:

**Dial Cast:** Call a resident's landline and cellular phone simultaneously.

**Call Escalation:** Call sequential telephone numbers until the call is answered.

**Built-in Caller ID:** Lets residents know the call is from the entry system.

**Call Scheduling:** 'Do Not Disturb' times can be defined by user.

**Two Way Communications:** Between phones, entry panels and intercom stations

**Built-in Email messaging:** Alert residents when they have missed visitors.

**Built-in Video Camera:** 4 FPS, for visitor identification.

**Concierge:** Greet visitors remotely, speed dial residents or initiate calls to panels/stations. TAC IP supports a full range of concierge service.

## ACCESS CONTROL FEATURES

**Advanced design:** TAC IP is a fully integrated access control system, up to 32 doors and 2,000 card holders.

**Full featured:** TAC IP offers advanced access control with easy to use graphic software, 256 access levels, 256 time zones and 100 holiday schedules.

**Elevator control:** Control up to 4 elevator cars with up to 64 floors per car.

**Built-in card reader:** HID/AWID format reader built into face of TAC IP panel.

**Integration with other access control systems:** TAC IP has (2) 26 bit Wiegand outputs for connection to other access control systems, should the application require a separate system, or there is an existing access control system on site.

# INTEGRATED VOIP TELEPHONE ENTRY AND NETWORK ACCESS CONTROL SYSTEM

## SPECIFICATIONS

### SYSTEM

BROWSER REQUIREMENT: GOOGLE CHROME, MOZILLA FIREFOX, I.E. 10 OR LATER

NETWORK INTERFACE: 1

RS485 PORT: 1 (PROPRIETARY PROTOCOL)

SLAVE SUPPORT: 5 TELEPHONE ENTRY PANELS (MAX.) AND 32 DEVICES READERS, OR ELEVATOR CABS

AUDIT: 4,000 EVENTS

OPERATING TEMPERATURE: +32°F TO +122°F (0°C TO +50°C)

OPERATING TEMP/HEATER: -22°F TO +122°F (-30°C TO +50°C)

DIMENSIONS: PANEL: 13" H x 11.375" W x 3" D  
(330mm x 289mm x 76mm)

MOUNTING CAVITY: 13.25" H x 11.5" W x 2" D  
(336mm x 292mm x 51mm)

### TELEPHONE ENTRY

NO. OF ENTRY PANELS: 1 TO 5

SUITE DIRECTORY: UP TO 2,000 NAMES WITH 4 LINE TENANT LISTING

DIAL CODE NUMBER: 3, 4, OR 5 DIGIT

PIN CODES: 1 KEYLESS ENTRY, 1 EMS SERVICES

INPUT POWER: 12VDC @2A REVERSE PROTECTED

LCD DISPLAY: BACK-LIT 4 X 20 CHARACTER

KEYPAD: BACK-LIT ATM GRADE 12 DIGIT CALL & 4 NAVIGATION  
(UP/DOWN/CALL/CLEAR)

GREETING MESSAGE: 20 CHARACTERS

COMMUNICATIONS: HANDS FREE, FULL DUPLEX

VOIP: BUILT-IN, VISTA DIAL VOIP SERVICE

RELAYS: 3 X FORM C (2AMP@30V AC/DC)

INPUTS: DOOR CONTACT  
REQUEST TO EXIT SWITCH  
REQUEST TO EXIT DETECTOR  
POSTAL LOCK  
TAMPER SWITCH

POSTAL KEY LOCK: YES (MOUNTING POSTS AND KNOCK OUT)

CAMERA: BUILT-IN, 4 FRAMES PER SEC, RESOLUTION 400 X 328

BROWSER REQUIREMENT: GOOGLE CHROME, MOZILLA FIREFOX, I.E. 10 OR LATER

## SPECIFICATIONS

### ACCESS CONTROL

NO. OF DOORS:	1 TO 32
NO. OF ELEVATOR CABS:	4 CABS X 64 FLOORS EACH
TIME ZONES:	256
DOOR ACCESS LEVELS:	256
ELEVATOR ACCESS LEVELS:	256
HOLIDAY DATES:	100
MULTIPLE DATE HOLIDAYS:	YES
WIEGAND INPUT:	PROPRIETARY 35 BIT OR 26 BIT WIEGAND
CARD READER (PANEL):	1
WIEGAND OUTPUTS:	(1) AUTHORIZED ACCESS (1) ELEVATOR CONTROL
WIEGAND OUTPUT FORMAT:	26 BIT

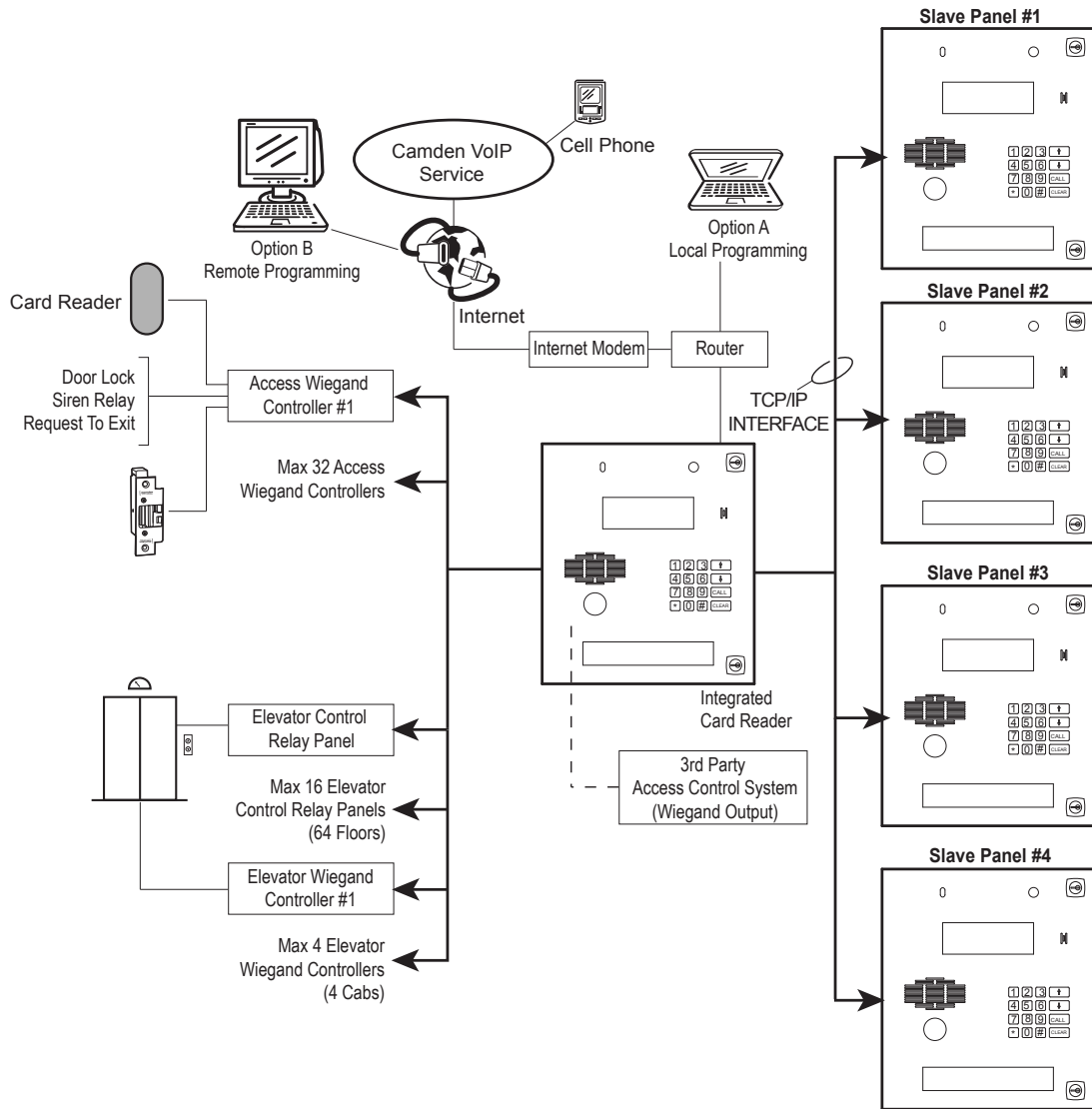
# INTEGRATED VOIP TELEPHONE ENTRY AND NETWORK ACCESS CONTROL SYSTEM

## SYSTEM DIAGNOSTICS

**System Monitoring:** The functionality and environmental conditions of the system can be remotely monitored.

**Network:** System monitors local area and wide area network connectivity.

**Environment:** System monitors levels of temperature.



## ORDERING INFORMATION

### TELEPHONE ENTRY/ACCESS PANEL

**CV-TACIP-100:** VOIP TELEPHONE ENTRY AND ACCESS CONTROL PANEL, BROWSER BASED SOFTWARE, NETWORK AND RS485 INTERFACE INCLUDED

### PANEL OPTIONS

**CV-TAC-4PRA:** PANEL MOUNTED HID/AWID DUAL FORMAT PROX. READER, FACTORY INSTALLED

**CV-TACIP-5HT:** PANEL HEATER, REQUIRED FOR INSTALLATIONS BELOW +32°F (0°C)

**CV-TACIP-VPG:** VOIP PHONE FOR GUARD STATION

### MOUNTING ENCLOSURES

**CV-TACIP-TR2:** 2" SS PANEL TRIM RING, FOR SEMI-FLUSH MOUNTING

**CV-TACIP-TR4:** 4" SS PANEL TRIM RING, FOR SEMI-FLUSH MOUNTING

**CV-TACIP-WHF:** SEMI-FLUSH SS WEATHER HOOD, WITH 2" TRIM RING

**CV-TACIP-WHS:** SURFACE STAINLESS STEEL WEATHER HOOD

**CV-TACIP-GAM:** GOOSE NECK ADAPTOR PLATE FOR SURFACE PANELS WITH WEATHER HOOD

### CONTROLLERS

**CV-TAC4WC:** WIEGAND CONTROLLER FOR ADDING UP TO 32 REMOTE PROX READERS, RF, OR KEYPADS. UP TO 4 WIEGAND CONTROLLERS CAN BE DESIGNATED FOR ELEVATOR CAB CONTROL

**CV-TAC4EL:** ELEVATOR CONTROLLER (ONE REQUIRED PER 16 FLOORS, PER CAB)

### HID/AWID DUAL FORMAT READER

**CV-7400:** AWID/HID COMPATIBLE PROX READER, MULLION STYLE, UP TO 4" -5" READ RANGE

**CV-7820:** AWID/HID COMPATIBLE PROX READER, SINGLE GANG, UP TO 4" -5" RANGE

### WIRELESS ACCESS

**CV-TACIP-6RX:** 6 CHANNEL WIEGAND WIRELESS RECEIVER

**CV-TACIP-4TX:** 4-BUTTON TRANSMITTER C/W WAFER, (10/PKG.)

### VOIP/SITE COMMUNICATIONS SERVICE

**VISTADIAL:** VISTADIAL™ 3RD PARTY VOIP TELEPHONE AND TECHNICAL SUPPORT SERVICE

### COMPATIBLE PROX. CARDS & KEY TAGS

**CV-CSA:** AWID FORMAT PROX CARDS, CLAM SHELL STYLE, PACKAGE OF 10

**CV-CSH:** HID FORMAT CLAM SHELL PROX. CARD, PACKAGE OF 10

**CV-CSA-B:** AWID FORMAT PROX CARDS, CLAM SHELL STYLE, BOX OF 100

**CV-CSH-B:** HID FORMAT CLAM SHELL PROX. CARD, BOX OF 100

**CV-ISA:** AWID FORMAT ISO PROX CARD, PACKAGE OF 10

**CV-ISA-B:** AWID FORMAT ISO PROX CARD, BOX OF 100

**CV-KTA:** AWID FORMAT PROX KEY TAG, PACKAGE OF 25

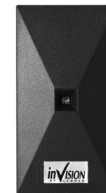
**CV-KTH:** HID FORMAT PROX TAG, PACKAGE OF 25



**CV-TAC4WC**  
WIEGAND CONTROLLER



**CV-TAC4EL**  
ELEVATOR CONTROLLER



**CV-7400**  
CARD READER



**CV-CSH CARDS**

**FOB**  
**CV-KTH**