

PTM400(-W) PTM400S(-W)

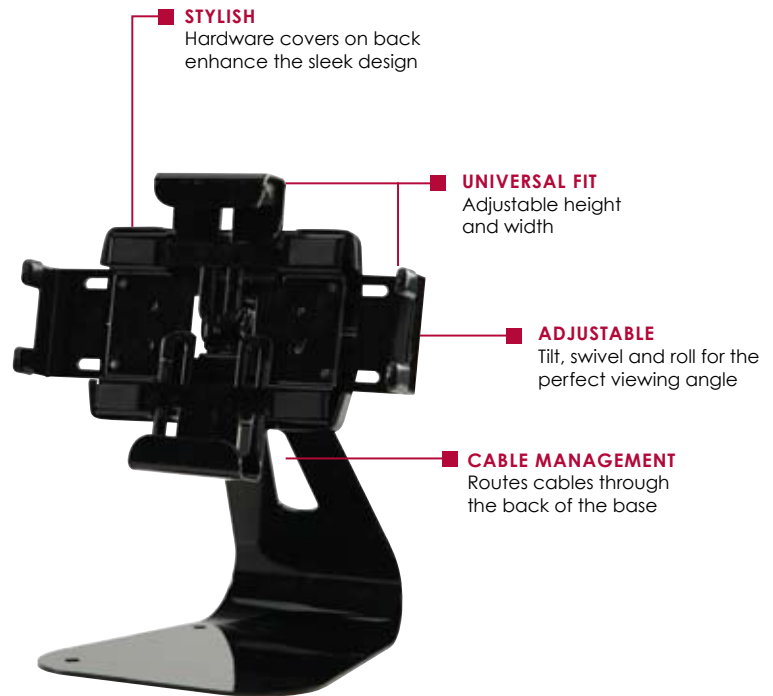
Universal Desktop Tablet Mount For Tablets less than 0.75" (19mm) deep

Peerless-AV makes it simple to mount almost any tablet with the PTM400(S). With its width and height adjustable cradle, this versatile, universal desktop mount adapts to virtually any tablet, securing it tightly into place. Its sleek design, along with thirty degrees of tilt and swivel and three hundred sixty degrees of roll, make it just as functional as it is stylish. Available in a theft-resistant security version or Phillips head version, the PTM400(S) is a great accessory for any desktop workspace.



FEATURES

- Adjustable height and width allows mount to fit virtually any tablet
- Option to place on desk, or secure down with theft-resistant security screws
- Available in a theft-resistant security version or a Phillips Head Version
- $\pm 30^\circ$ of One-Touch™ tilt and 360° of roll allows for a variety of positions in order to achieve the perfect viewing angle
- Theft resistant security kit available
- Allows for cable management



Shown with iPad2



Expand or contract the arms to create a custom fit for virtually any tablet

Model Numbers

WARRANTY: Limited 5-year

PTM400S(-W)
PTM400(-W)

Universal Desktop Tablet Mount for Tablets less than 0.75" (19mm) deep - includes theft resistant hardware
Universal Desktop Tablet Mount for Tablets less than 0.75" (19mm) deep - includes standard hardware

Product Specifications

	DIMENSIONS (W x H x D)	PRODUCT WEIGHT	LOAD CAPACITY	FINISH	AVAILABLE COLORS
PTM400(S)(-W)	6.71"-11.21" x 9.35"-11.34" x 7.02" (170-285 x 237-288 x 178mm)	3.77lb (1.71kg)	5 lb (2.27kg)	TGIC Polyester Powder Coat	PTM400(S): Black PTM400(S)-W: White

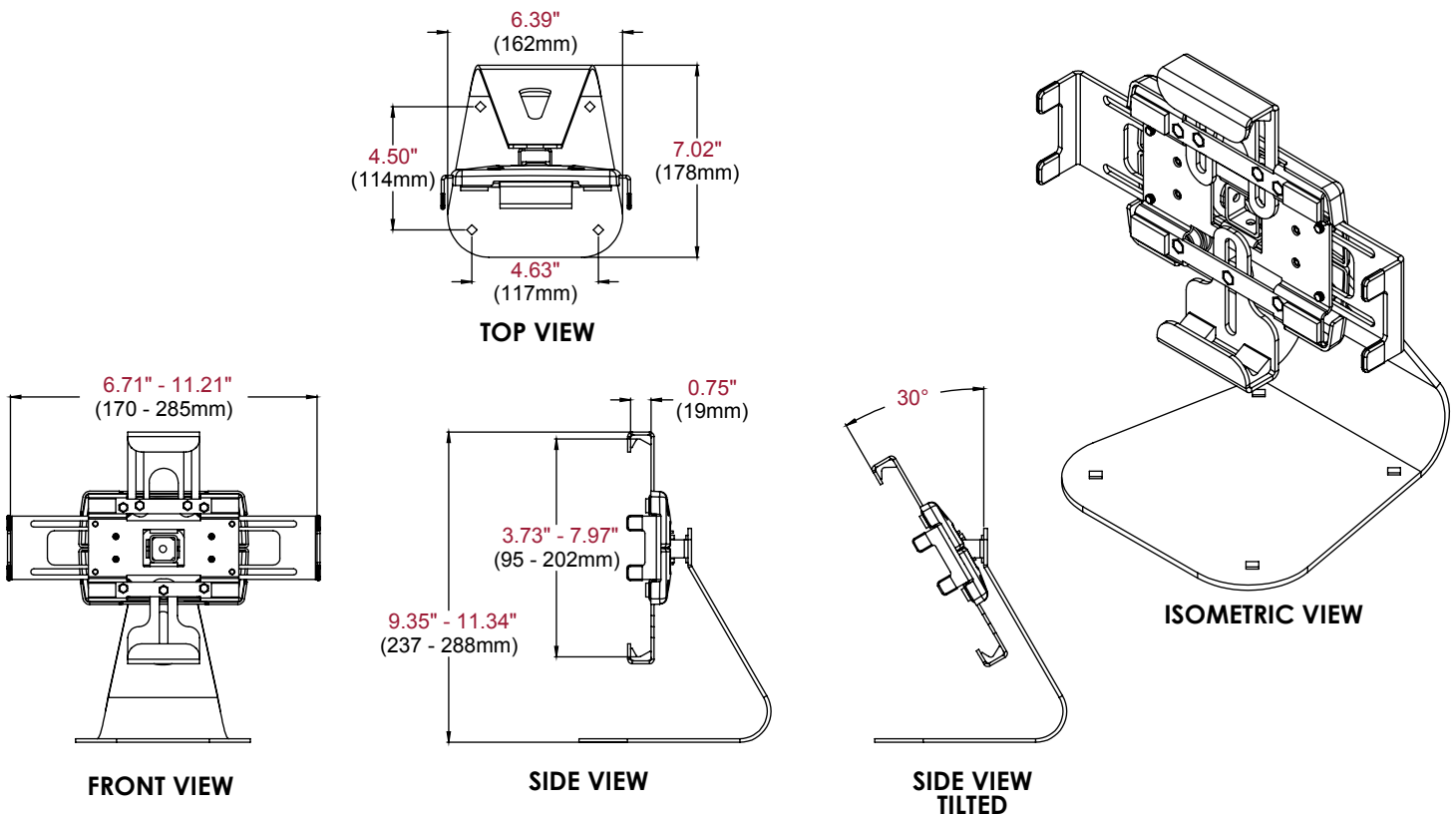
Package Specifications

	PACKAGE SIZE (W x H x D)	PACKAGE SHIP WEIGHT	PACKAGE UPC CODE	PACKAGE CONTENTS	UNITS IN PACKAGE
PTM400(S)(-W)	10" x 8" x 10" (254 x 203 x 254mm)	5.00lb (2.27kg)	PTM400: 735029282143 PTM400S: 735029282174 PTM400-W: 735029282167 PTM400S-W: 735029282198	Desktop Mount and attachment hardware	1

Accessories

ACC954: Theft Resistant Security Kit

All dimensions = inch (mm)



ARCHITECTS SPECIFICATIONS

The Universal Desktop Tablet Mount shall be Peerless-AV models PTM400S(-W)/PTM400(-W)
Assembly and installation shall be done according to instructions provided by the manufacturer.

Peerless Industries, Inc. ■ 2300 White Oak Circle ■ Aurora, IL 60502 ■ (800) 865-2112 ■ (630) 375-5100 ■ Fax: (800) 359-6500 ■ www.peerless-av.com

Visit www.peerless-av.com to see the complete line of AV solutions from Peerless-AV, including flat panel mounts, projector mounts, carts/stands, furniture, cables, screen cleaners and a full assortment of accessories.