

## Security Camera Mounts



**CMR 405**



**CMR 410**



**CMR 415**



**CMR 419**

These light weight indoor camera mounts accommodate small to medium sized fixed position security cameras. They are constructed of engineered plastic to eliminate ground loop problems. The design of these mounts features an attractive and highly functional ball and socket style pivot for positioning the direction of the camera. These camera mounts are made to be installed on a standard single gang electrical outlet box. They can also be mounted on a wall or ceiling with four mounting screws (not supplied.) Patented design.

- Low profile design
- 360° swivel and 90° tilt limitless positioning
- Cord management routing duct
- Can be personalized with your company's name and/or logo
- UL listed

**CMR Models**

# Security Camera Mounts

## Model Numbers

CMR 405	light duty 5" camera mount
CMR 410	light duty 7" camera mount
CMR 415	false ceiling 5" camera mount
CMR 419	false ceiling 9" camera mount

## Product Specifications

- Low profile design
- Holds cameras up to 10 lbs
- Cord management routing duct
- Single-point adjustment knob
- Can be personalized with your company's name and/or logo
- UL listed
- 360° swivel and 90° tilt for positioning the direction of the camera (CMR 415/419)
- Extension tubes constructed of cold rolled steel (CMR 415/419)

### FEATURES

### LOAD CAPACITY

10 lbs (4.5 kg)

### FINISH

Scratch Resistant Fused Epoxy

### AVAILABLE COLORS

Light Gray, CMR 405/410  
White, CMR 415/419

## Package Specifications

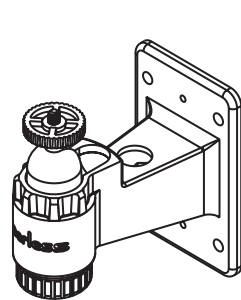
Mounting Plate, Extension, Ball Stud

1

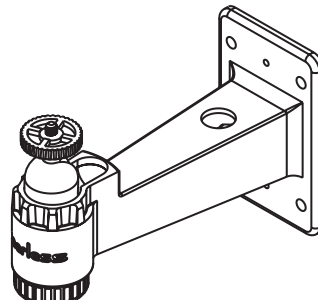
CMR 405:	7.5" x 5" x 3" (19.05 x 12.7 x 7.62 cm)
CMR 410:	7.5" x 5" x 3" (19.05 x 12.7 x 7.62 cm)
CMR 415:	12.75" x 9.5" x 2.5" (32.39 x 24.13 x 6.35 cm)
CMR 419:	12.75" x 9.5" x 2.5" (32.39 x 24.13 x 6.35 cm)

CMR 405:	0.6 lbs (.23 kg)
CMR 410:	0.6 lbs (.23 kg)
CMR 415:	1 lbs (.27 kg)
CMR 419:	1 lbs (.27 kg)

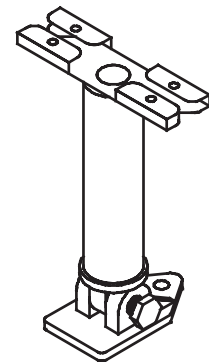
CMR 405:	73502920903
CMR 410:	73502919617
CMR 415:	735029191360
CMR 419:	735029191377



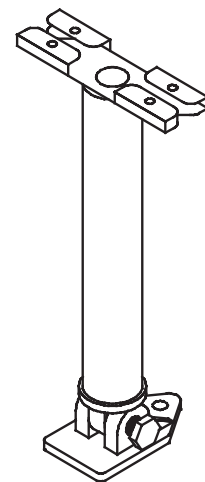
CMR 405



CMR 410



CMR 415



CMR 419

LIMITED 5-YR. WARRANTY

(800) 865-2112  
www.peerlessindustries.com

Peerless Industries, Inc.  
3215 W. North Avenue, Melrose Park, IL 60160  
(708) 865-8870 or (800) 865-2112 Fax: (708) 865-2941 www.peerlessindustries.com

© 2005 Peerless Industries, Inc. All rights reserved.  
Peerless is a registered trademark of Peerless Industries, Inc.  
All other brand and product names are trademarks or registered trademarks of their respective owners.

