

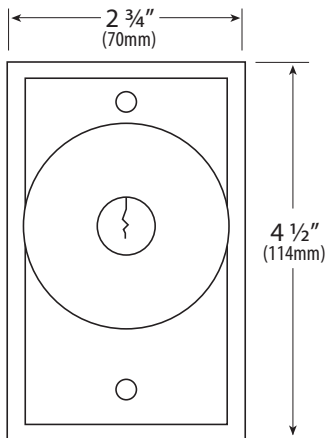


## CM-6000

### LOCKING MUSHROOM PUSH SWITCHES



CM-6000



CM-6000

#### FEATURES

- LARGE LOCKING, RED BUTTONS
- IDEAL FOR LOCK-OUT OR EMERGENCY SHUT-DOWN APPLICATIONS
- 2 3/8" (60 MM) DIAMETER
- PUSH ON, TURN KEY TO RELEASE
- VANDAL AND TAMPER RESISTANT
- MOUNTED ON HEAVY 1/4" THICK ALUMINUM PLATE
- STACKABLE CONTACTS CAN CONTROL 6 DISTINCT FUNCTIONS
- UL/CSA APPROVED SWITCHES, RATED 6 AMPS @ 30V DC
- COLOR CODED 18 AWG SPADE CONNECTIONS
- BRUSHED ALUMINUM FINISH
- FAST AND EASY TO INSTALL

#### DESCRIPTION

**Camden Door Controls CM-6000 Series** Locking Push Switches are specially designed and manufactured for lock-out or emergency applications. Once pushed, the button latches, and cannot be reset unless the key is inserted and turned in the center locking cylinder.

Red buttons have a 2 3/8" (60mm) diameter. They are supplied with a 1/4" thick, brushed aluminum single gang faceplate.

The switches are UL/CSA approved, rated 6 amps @ 30V DC.

#### APPLICATION

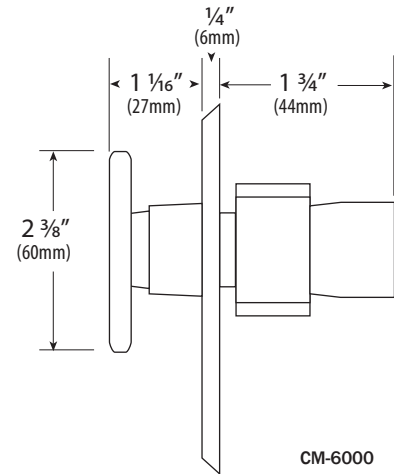
Camden Locking Push Switches are ideal for lock-out or emergency shut-down applications. Also for use on emergency doors, fire exits, or other applications where a positive latching action is desired.

## ARCHITECTS/ENGINEERS SPECIFICATIONS

The locking push switches to be used throughout the site/complex shall be Camden Door Controls CM-6000 series Locking Exit Switches.

The button shall be 2 3/8" (60mm) in diameter, and designed to be easy to activate. The switch shall have a positive latching action. Once the button is depressed, it locks in place, and cannot be reset unless a key is inserted and turned, in the middle of the switch. The faceplate shall be constructed of 1/4" thick aluminum, and shall be supplied with stainless steel Torx or snake eye security screws.

Rating for all electrical contacts shall be a minimum of 6 amps @ 30 VDC. The switch used shall be a UL/CSA approved type, supplied with color coded leads. The switch assembly shall be modular, allowing for up to six distinctive functions upon activation of the push button.



## ORDERING INFORMATION

All CM-6000 Illuminated Push Switches come with a 2 3/8" (60mm) red locking palm button, brushed aluminum faceplate, 2 socket/slotted screws, and 2 tamperproof screws.

MODEL	DESCRIPTION
CM-6030	PUSH ON/KEY TO RELEASE, N/O, SPST MAINTAINED, RED
CM-6040	PUSH ON/KEY TO RELEASE, N/C, SPST MAINTAINED, RED
CM-6050	PUSH ON/KEY TO RELEASE, N/O AND N/C, DPST MAINTAINED, RED

### FOR COLOR, ADD:

'B' FOR BLACK BUTTON (SPECIAL ORDER)

