

SP730P



Display size
10" - 29"



Max load
25lb (11kg)

SMARTMOUNT

Pivoting Wall Mount

FOR 10" TO 29" DISPLAYS

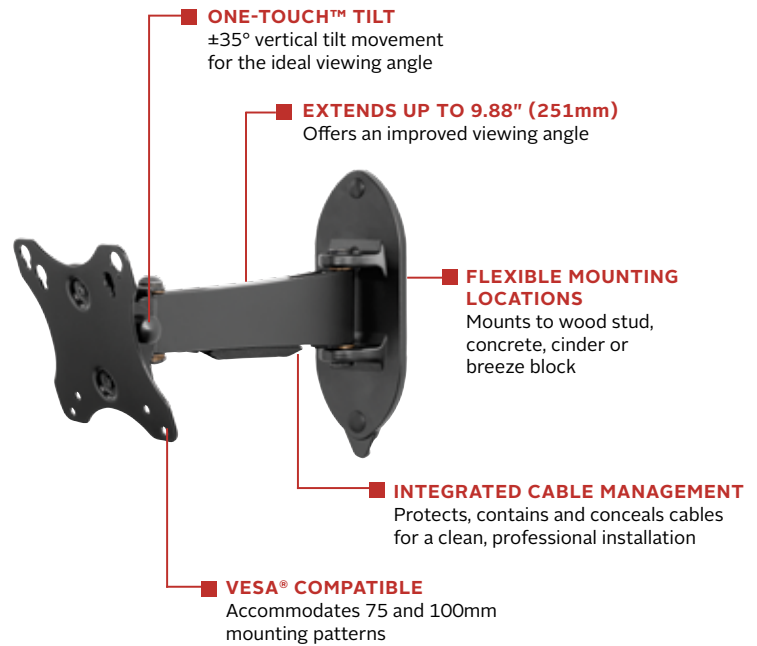
The SmartMount® Pivoting Wall Mount series offers the most versatile installation features and mounting options. With SP730P, extend the display up to 9.88" (251mm) or fully-retract it to just 2.77" (70mm) from the wall for an improved viewing angle. The display can now simply be installed by a single person with the Hook-and-Hang™ system. One-Touch™ tilt technology offers $\pm 35^\circ$ vertical tilt movement for the ideal viewing angle. Integrated cable management protects, contains and conceals cables for a clean installation.

The Pivoting Wall Mount extends, turns and tilts for improved viewing position.



Additional Features

- ✓ Retracts to hold display just 2.77" (70mm) from the wall
- ✓ $\pm 90^\circ$ of pivot allows for perfect display positioning
- ✓ Easy leveling $\pm 5^\circ$ after display installation
- ✓ Quick and easy, Hook-and-Hang™ one-person installation
- ✓ Landscape or portrait mounting options increases display versatility
- ✓ Includes all necessary wall and display attachment hardware
- ✓ Design is UL listed and tested to four times stated load capacity



Extend, turn, tilt, or retract the display for an improved viewing angle



Integrated cable management keeps cords and cables out of the way



Comes in color packaging with included installation hardware and easy to follow instructions.



Please visit peerless-av.com/en-us/patents for patent information.

info@peerless-av.com
peerless-av.com

peerless-AV®

SP730P	SmartMount® Pivoting Wall Mount for 10" to 29" Displays
---------------	---

Product Specifications

	DIMENSIONS (W x H x D)	PRODUCT WEIGHT	LOAD CAPACITY	FINISH	AVAILABLE COLORS
SP730P	11.14" x 8.06" x 2.77"-9.88" (283 x 205 x 70-251mm)	2.45lb (1.1kg)	25lb (11kg)	Scratch resistant fused epoxy	Semi-gloss black

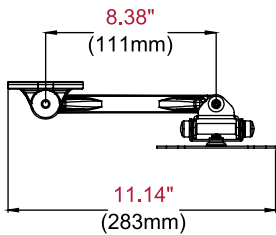
Package Specifications

	PACKAGE SIZE (W x H x D)	PACKAGE SHIP WEIGHT	PACKAGE UPC CODE	PACKAGE CONTENTS	UNITS IN PACKAGE
SP730P	14.13" x 3.75" x 10.38" (359 x 95 x 264mm)	3.75lb (1.7kg)	735029237365	Wall mount, wall and display installation hardware, installation instructions	1

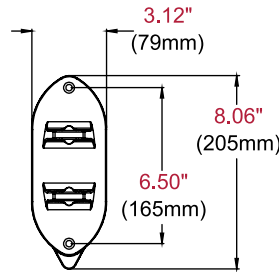
Accessories

- ACC918:** Security Fasteners
- ACC2X4:** VESA® 200 x 100mm Adaptor Plate
- WSP700/WSP701:** Metal Stud Wall Plates for 16"/24" Center Metal Studs

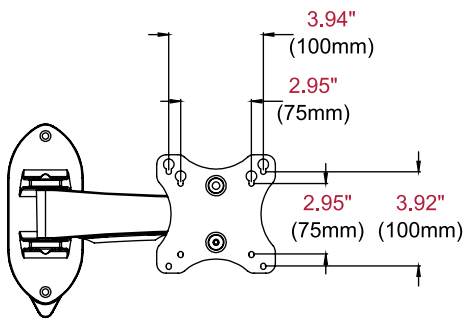
All dimensions = inch (mm)



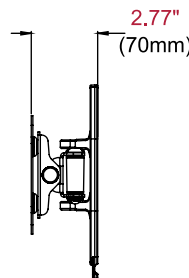
TOP VIEW



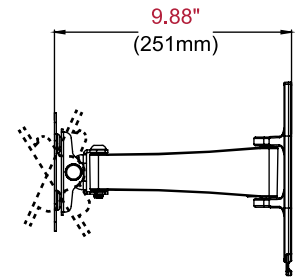
WALL PLATE DETAIL



FRONT VIEW



SIDE VIEW COLLAPSED



**SIDE VIEW EXTENDED
+/-35° TILT**

Architect Specifications

The Smartmount® Pivoting Wall Mount shall be a Peerless-AV model SP730P and shall be located where indicated on the plans. Assembly and installation shall be done according to instructions provided by the manufacturer.

Visit peerless-av.com to see the complete line of AV solutions from Peerless-AV, including outdoor displays, wireless, kiosks, digital audio, display mounts, projector mounts, carts/stands, and a full assortment of accessories.

Peerless-AV
2300 White Oak Circle
Aurora, IL 60502 USA
(800) 865-2112
(630) 375-5100
Fax: (800) 359-6500

Peerless-AV Europe
Unit 3 Watford Interchange
Colonial Way, Watford
Herts, WD24 4WP
United Kingdom
+44 (0) 1923 200100
Fax: +44 (0) 1923 200101

Peerless-AV de México
Ave de las Industrias 413
Parque Industrial Escobedo
Escobedo, N.L.,
Mexico 66050
+52 (81) 8384-8300
Fax: +52 (81) 8384-8360

