



DNR200 Series

PoE HD Network Video Recorder

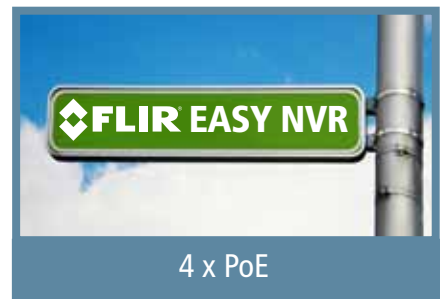
4-8-16 ch. 1080p, 4 PoE Ports, H.264, ONVIF 2.0, Mobile, PC/Mac



FLIR 64 Channel CMS Included



C O N N E C T E D



4 x PoE

Enter a new era of easy and accessible all-digital HD recording with the FLIR SyncroIP Network Video Recorder. The SyncroIP NVR provides a robust yet user-friendly and affordable HD surveillance recording solution with 1080p resolution available in real-time.

Available in 4, 8 and 16 channel configurations, the DNR200 Series has 4 integrated PoE ports for convenient all-in-one connection that reduces setup time and cord clutter. IP Cameras are automatically discovered and the system is simple to navigate via the intuitive GUI.

ONVIF 2.0 conformance ensures compatibility with the industry's most popular IP Cameras – including the industry-leading SyncroIP Camera line-up. For managing multi-NVR applications, a powerful 64 Channel CMS by FLIR is included. Stay connected with an outstanding suite of mobile apps available for iPhone, iPad and Android in addition to PC and Mac.

Features

- ❖ Easy Connection and setup with 4 integrated Power over Ethernet (PoE) ports and auto-discovery of IP Cameras
- ❖ Full HD 1080P recording provides the most detailed picture and reliable identification with selectable area digital zoom
- ❖ Real-time recording: 120fps@1080p (4ch), 240fps@720p (8ch), and 480fps@D1 (16ch)
- ❖ Dual streaming (H.264) and dual core processing
- ❖ ONVIF 2.0 conformance ensures compatibility with the industry's major camera manufacturers
- ❖ 64 Channel CMS by FLIR included
- ❖ Fully PC / Mac compatible
- ❖ Mobile apps: iPhone, iPad, Android, Windows Phone 8* and BlackBerry 10*
- ❖ Advanced mobile app features: remote playback, push notifications for motion/alarm, E-map, manual record/snapshot to device
- ❖ HDMI / VGA / BNC simultaneous video output
- ❖ Free DDNS service by FLIR with secure and redundant servers
- ❖ Supports 2x SATA HDDs up to 3TB (6 TB total), 2x USB 2.0 ports
- ❖ 5/3/1 Fortress Vision warranty

*Under development; coming soon



Specifications

System

Main Processor	Dual-core embedded processor
Operating System	Embedded LINUX
Pentaplex Operation	Simultaneous View, Record, Playback, Backup, and Remote Monitoring

Inputs/Outputs

IP Camera Input	4 channel / 8 channel / 16 channel
Power over Ethernet (PoE)	4 integrated PoE ports
Audio	1 channel input (BNC), 1 channel output (BNC)
PTZ	RS-485, supports Pelco-D and Pelco-P
USB	2 ports
Alarm Input	4 Channel / 8 Channel / 16 Channel
Relay Out	3 Channel

Display

Interface	1 HDMI, 1 VGA, 1 BNC
Resolution	1920×1080, 1280×1024, 1280×720, 1024×768
Display Split	1/4, 1/4/8/9, 1/4/8/9/16
OSD	Camera title, Time, Camera Lock, Motion Detection, Recording Status

Recording

Compression	H.264
Resolution	1080P(1920×1080) / 720P(1280×720) / D1 (704×576/704×480)
Record Rate	120fps@1080p (4ch), 240fps@720p (8ch), 480fps@D1 (16ch)
Bit Rate	32Mbps
Record Mode	High Quality Stream/Sub-Stream Recording: Manual, Schedule, Motion Detection, Alarm
Record Interval	1~120 min (default: 60 min), Pre-record: 1~30 sec, Post-record: 10~300 sec

Video Detection and Alarm

Trigger Events	Recording, PTZ, Tour, Alarm, Video Push, Email, FTP, Buzzer & Screen tips
Video Detection	Motion Detection

Playback and Backup

Sync Playback	1/4, 1/4/9, 1/4/9/16
Playback Function	4 Channel / 8 Channel / 16 Channel
Backup Mode	USB Device / Network
Configuration Backup	To USB Device

Network

Ethernet	RJ-45 port (10/100M/1000M)
Network Function	HTTP, TCP/IP, IPv4/IPv6, UPNP, RTSP, UDP, SMTP, NTP, DHCP, DNS, IP Filter, PPPOE, DDNS, FTP, Alarm Server, IP Search
Max. User Access	20 simultaneous users
Smart Phone	iPhone, iPad, Android, Windows Phone 8**, Blackberry 10*
IP Cameras Supported	FLIR, Digimerge, Panasonic, Sony, Dynacolor, Samsung, AXIS, Arecont, Bosch, Canon, Honeywell, Pelco, Panasonic, Vivotek

Storage

Main Processor	2 SATA ports (2HDDs)
Maximum Storage Capacity	6TB (2 x 3TB)

Dimensions

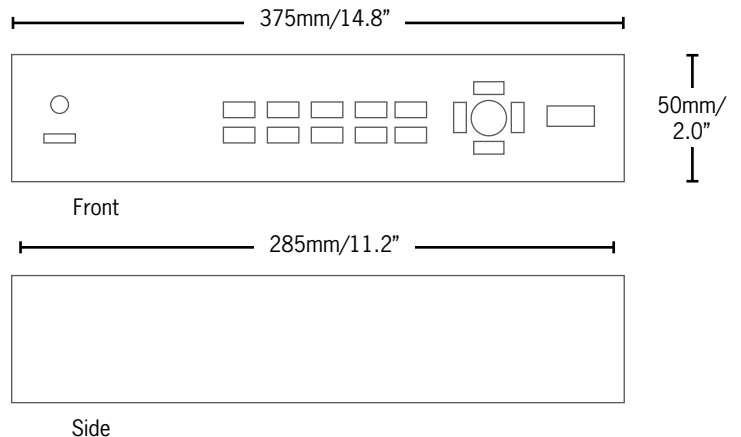
Weight	2.3kg / 5.1lbs
--------	----------------

Power

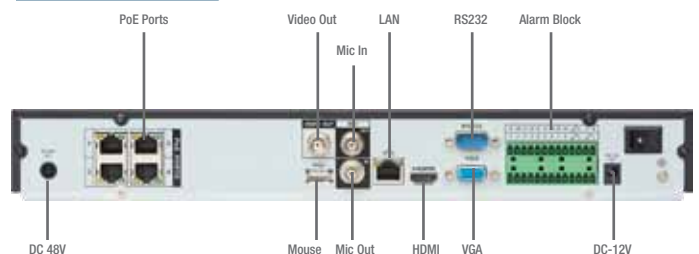
Power Supply	1x 12V DC 5A (for NVR); 1x 48V DC 1A (for PoE)
--------------	--

Package Dimensions

Weight:	3.9kg/8.5lbs
Package Dimensions:	438mm x 153mm x 343mm / 17.2" x 6.0" x 13.5" (W x H x D)
Cube:	0.023 Cubic Metres / 0.81 Cubic Feet



Back Panel



Product Information

UPC:	DNR204P1 4 Channel 1TB HDD	8-41430-00799-9
	DNR208P1 8 Channel 1TB HDD	8-41430-00802-6
	DNR216P1 16 Channel 1TB HDD	8-41430-00805-7

Includes: NVR, 1TB HDD, Remote Control, 2 x Power Supply, Software application CD, 3ft Ethernet Cable

*Under development; coming soon

Digimerge is a FLIR® company.

Because our products are subject to continuous improvement, Digimerge reserves the right to modify product design and specifications without notice and without incurring any obligation. E&O.E.