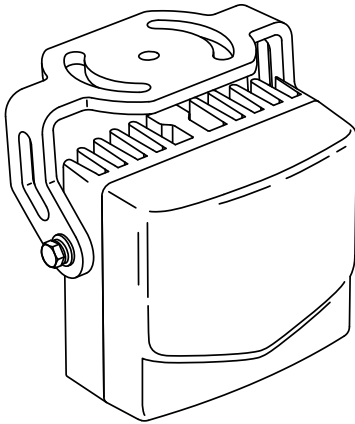


Hybrid AT-11H-S

Infrared + White Light



INFRARED and VISIBLE WHITE LIGHT

HYBRID combines powerful IR illumination and event-driven white light into one compact solution.

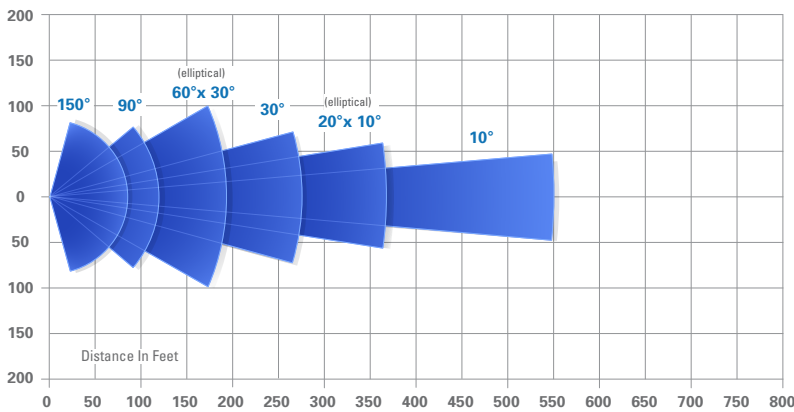
EVENT-DRIVEN FUNCTIONALITY

Connects to a camera or an alarm (or any other trigger device) via I/O ports to turn ON the white light upon event occurrence. Pulsed mode allows syncing with camera shutter for industrial, machine vision and ANPR/LPR applications.

MADE IN THE USA - LIFETIME WARRANTY

All products are covered by a lifetime warranty with advanced replacement. All Axton lights are designed and manufactured in the USA.

ILLUMINATION DISTANCE



Angle: 150° Range: 80ft / 24m HFOV : 155ft / 47m	Angle: 90° Range: 120ft / 36m HFOV : 152ft / 46m	Angle: 60° x 30° Range: 190ft / 58m HFOV : 190ft / 58m	Angle: 30° Range: 270ft / 82m HFOV : 140ft / 42m	Angle: 20° x 10° Range: 360ft / 109m HFOV : 112ft / 34m	Angle: 10° Range: 540ft / 164m HFOV : 94ft / 28m
--------------------------------------------------------	--------------------------------------------------------	--------------------------------------------------------------	--------------------------------------------------------	---------------------------------------------------------------	--------------------------------------------------------

SPECIFICATIONS

IR: Wavelength	850nm
White Light: Lumens	1,400 Lm
White: Temperature	6000K
Input Voltage	24-36 VDC or 24VAC
Power Consumption	11 Watts
Operating Temperature	-58°F...+140°F / -50°C...+60°C
Dimensions	4.25" x 2" x 4.25" / 108 x 51 x 108mm
Weight	1.25 lbs/ .56kg
Environmental	IP 67 Outdoor Rated
Mounting	Pan/Tilt U-bracket

TIPS:

White (Visible) Light = Color Image

Color images contain important information helpful to security professionals during an alarm, or in the after-the-fact event assessment.

Nighttime Surveillance & Crime Prevention

Use IR illumination by default for night-time surveillance. It isn't obtrusive, and doesn't contribute to light pollution in the area. White or Visible Light will turn ON upon alarm/event trigger to identify intruders and possibly prevent their further actions.

