



## PB24 Series

Standard / Battery Backup, IP Reset, Signal Converters, Wireless  
Multi-Functional Power Box

Moog offers an extremely versatile, PB24 Series of UL approved outdoor rugged power boxes provides an economical solution for supplying your video surveillance system with electrical current. Incorporating a vandal-resistant design, the rugged cast aluminum NEMA4 box enclosure meets IP66 standards to prevent the ingress of minute particles. The PB24 outdoor power box series mounts directly to a Moog FusionDome™ (FDW housings), Vandal Resistant Dome (RHW housings), and the ACH13 WM1500 wall-mount bracket. A swinging door simplifies installation and servicing.

Moog power boxes are available in four distinct model classes. Each model incorporates several innovative accessories focused on better optimizing your video surveillance system via standard / Battery backup, wireless, IP reset, and signal converters.

### Available Features

- Available in four model classes: Standard/Battery Backup, IP Reset, Wireless, Signal Converters
- Mounts directly to Moog outdoor wall mount housings
- IP Reset models provide a systematic solution for resetting electronic devices
- Wireless models available
- Provides 4 amps of power at 24Vac
- Designed for direct conduit connections
- Battery backup provides up to 25-minutes of extended power
- **US Patent Pending**



# PB24 Series

## Standard / Battery Backup:

- Pole-mounting clips included
- Provides four amps of power at 24Vac
- Designed for direct conduit connections
- Mounts directly to Moog outdoor wall-mount housing
- Meets IP66 standards to prevent the ingress of minute particles and liquids
- Available with optional Battery Backup: provides up to 25-minutes of extended power to 12Vdc cameras

## IP Reset:

- Two operating modes: Smart Reset and Program Reset
- Provides systematic solution for resetting electronic devices
- Save on costly service fees and eliminate surveillance down time
- IP Reset feature available with standard power box (PB24) and battery backup power box (PB24BB)

## Wireless: \*

- One transmitting model: 900MHz
- Includes an omni-directional antenna
- Solution for difficult-to-wire, rapid deployment or isolated applications
- Save on costly installations and benefit with the freedom of wireless connectivity and the flexibility of network video

## Signal Converter:

- No programming necessary
- Save on costly cabling fees
- Benefit from the versatility of an IP network system
- EOF2N: Transmit Ethernet data through high-speed fiber optic cable

Mechanical Specifications	
Size (H*W*D):	8.75" x 7.82" x 3.92" (222.3 x 198.6 x 99.6mm)
Weight:	10 Lbs. (4.54 Kg)
Construction Back Box:	Rugged cast aluminum

Electrical Specifications		
Power Consumption:	1-Amp (120W) at 120Vac	
Power Input:	120Vac or 240Vac, 50 / 60Hz	
Power Output	PB24/-RS:	96va (96W)
	PB24BB/-RS:	12Vdc (30W)

Environmental Specifications	
Operating Temperature:	-40°F to 122°F (-40°C to 50°C)

## Regulatory and Certifications



## Standard Power Box:

**PB24**  
220/115Vac input converting to 24Vac and 96W output power

## Power Box ONLY:

**PB24B**  
Aluminum power box - with no electronics

## Battery Backup Power Box:

**PB24BB**  
Provides up to 25-minutes of extended power; use with 12Vdc cameras

## Standard Power Box with IP Reset:

**PB24-RS**  
PB24 power box with IP Reset device for resetting electronic devices

## Battery Backup Power Box with IP Reset:

**PB24BB-RS**  
PB24BB with IP Reset device for resetting electronic devices

## 900MHz Wireless Power Box:

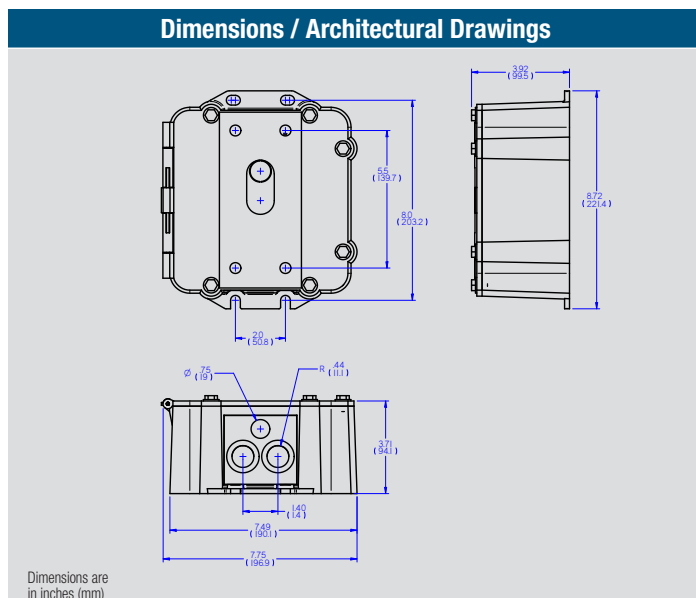
**PB24L900**  
900MHz wireless box with an omni-directional antenna and matching receiver

*\* 2.4 and 5.8GHz models available, for these technologies ask about the PB24M24 and PB24M58*

## Standard Power Box with EOF2N:

**PB24 + EOF2N**  
Transmit Ethernet data through high-speed fiber optic cable

**PB24FM-SC**  
*\* Will need and EOF2N for termination side if fiber*



# MOOG

Sensor and Surveillance Systems

3650 Woodhead Drive Northbrook, IL, USA 60062

+1.847.498.0700 Fax: +1.847.498.1258 www.moogS3.com