

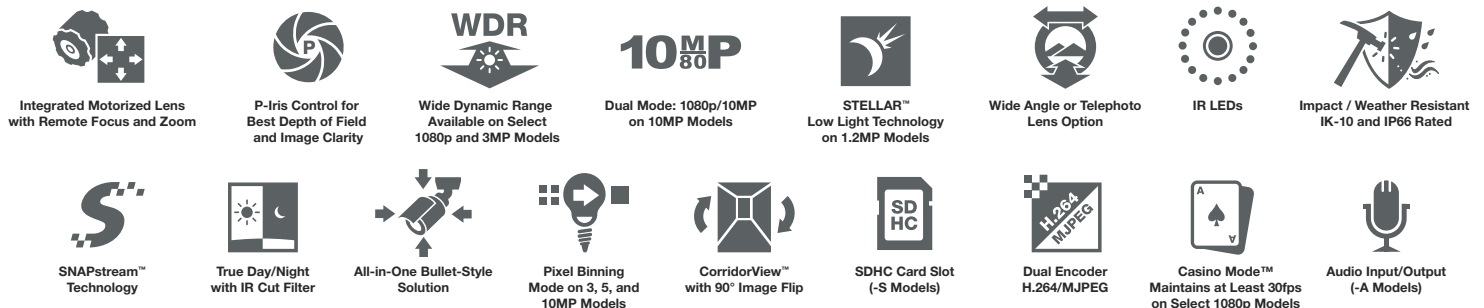
MegaView® 2 IP Megapixel Bullet Cameras

1.2, 1080p, 3, 5, and 10 Megapixel (MP) H.264 All-in-One Motorized P-Iris Lens True Day/Night IR Indoor/Outdoor Bullet-Style IP Cameras with SNAPstream™ (Smart Noise Adaptation and Processing), WDR (Wide Dynamic Range), and STELLAR™ (Spatio Temporal Low Light Architecture) Models



MegaView® 2 second generation multi-megapixel cameras provide ample resolution to zoom-in for details in live or recorded video. These indoor/outdoor all-in-one solutions integrate a 1.2-, 1080p, 3-, 5-, or 10-megapixel camera with fast frame rates and an IR corrected motorized wide angle or

telephoto, P-iris lens into an IP66 environmental rated, IK-10 impact-resistant bullet-style housing. H.264 compression reduces bandwidth and storage requirements while delivering full frame rates and full resolution without sacrificing image quality.



Series Features

- 1.2, 1080p, 3, 5, or 10MP Models
- Remote Focus/Zoom Motorized P-Iris Lens
- P-Iris Control to Get Best Depth of Field and Image Clarity
- SNAPstream™ Capability to Reduce Bandwidth without Impacting Image Quality†
- Wide Angle or Telephoto Lens Options
- STELLAR™ Reduces Motion Blur, Noise and Storage Requirements, While Enhancing Contrast and Allowing Color Imaging in Near Complete Darkness on 1.2MP Models
- True WDR up to 100dB at Full Resolution Available on Select 1080p and 3MP Models
- True Day/Night Functionality with Mechanical IR Cut Filter and IR LEDs
- Binning Mode for Strong Low Light Performance on 3MP, 5MP and 10MP Cameras
- Casino Mode™ Guarantees Continuous 30fps† Frame Rate Required by Gaming Industry Regulations (Select 1080p Models)
- CorridorView™ Allows 90° Image Rotation for Better Coverage in Hallways and Corridors
- Privacy Mask, Motion Detection, Flexible Cropping, Bit Rate Control, Multi-Streaming, Multicasting, Forensic Zooming, and Non-Integer Scaling
- Dual Encoder H.264/MJPEG
- SDHC Card Slot for Onboard Storage (-S Models)
- Network Protocols Include 802.1x‡, DHCP, QoS, IPv6, and More
- Total PoE Solution (No External Power Required for IR LEDs), PoE and Auxiliary Power: 12–48V DC/24V AC
- Outdoor Rated IP66 and IK-10 Impact-Resistant Housing
- Easily Adjustable 3-Axis Wall Mount, Junction Box Included
- Optional Audio (-A Models)

† Maximum with H.264 compression

‡ SNAPstream and 802.1x not available on "-S" models

Camera Specifications

Model		AV1225	AV2225		AV2226		AV3225		AV3226		AV5225		AV10225
		-S		-S		-S		-S		-S		-S	
Image Sensor		1.2MP*	1080p (2.1MP)**		1080p (2.1MP)**		3MP		3MP		5MP		10MP
Day/Night		True Day/Night with automatic removable IR cut filter											
Optical Format		1/3"	1/3"		1/3.2"		1/3"		1/3.2"		1/2.5"		1/2.3"
Pixel Pitch		3.75µm	2.2µm		2.2µm		2.2µm		2.2µm		2.2µm		1.67µm
Minimum Illumination	Color (Day Mode)	0.02 Lux	0.2 Lux		0.2 Lux		0.2 Lux		0.2 Lux		0.3 Lux		0.42 Lux
	Color Binning (Day Mode)	-	-		-		0.1 Lux		0.1 Lux		0.15 Lux		0.21 Lux
	B/W (Night Mode)	0.002 Lux, IR sensitive	0.02 Lux, IR sensitive		0.02 Lux, IR sensitive		0.02 Lux, IR sensitive		0.02 Lux, IR sensitive		0.03 Lux, IR sensitive		0.04 Lux, IR sensitive
Full FOV Resolution		1280 H x 960 V	1920 H x 1080 V		1920 H x 1080 V		2048 H x 1536 V		2048 H x 1536 V		2592 H x 1944 V		3648 H x 2752 V
1/4 Resolution		640 H x 480 V	960 H x 540 V		960 H x 540 V		1024 H x 768 V		1024 H x 768 V		1296 H x 972 V		1824 H x 1376 V
Scaling (See Scaling Resolution Chart Below)		-	-	Yes	-	Yes	-	Yes	-	Yes	-	Yes	Yes
Dynamic Range		83.5dB	69.5dB		WDR up to 100dB		69.5dB		WDR up to 100dB		70.1dB		57.2dB
Maximum Range		54dB	44dB		49dB		44dB		49dB		45dB		40dB
Frame Rates [†]	At Max Resolution	37fps (1280 x 960)	30fps (1920 x 1080)		30fps (1920 x 1080)		21fps (2048 x 1536)		21fps (2048 x 1536)		14fps (2592 x 1944)		7fps (3648 x 2752)
	Cropped	-	30fps (1280 x 1024)		30fps (1280 x 1024)		30fps (1920 x 1080) 30fps (1280 x 1024)		30fps (1920 x 1080) 30fps (1280 x 1024)		21fps (2048 x 1536) 29fps (1920 x 1080) 41fps (1280 x 1024)		12fps (2592 x 1944) 18fps (2048 x 1536) 25fps (1920 x 1080) 37fps (1280 x 1024)
	Binning Mode	-	-		-		46fps (1024 x 768) 64fps (960 x 540)		21fps (1024 x 768) 21fps (800 x 600) 21fps (960 x 540) 21fps (640 x 512)		34fps (1296 x 972) 46fps (1024 x 768) 64fps (960 x 540)		29fps (1920 x 1080) 26fps (1824 x 1376) 43fps (1296 x 972) 54fps (1024 x 768)
Lens	Wide Angle Vari-focal (PMIR Models) H-FOV	3–9mm, 1/2.7", F1.2	2.8–8mm, 1/2.7", F1.2		2.8–8mm, 1/2.7", F1.2		2.8–8mm, 1/2.7", F1.2		2.8–8mm, 1/2.7", F1.2		3–8mm, 1/2.5", F1.4		4–8mm, 1/2.3", F1.6
		101°–32°	86°–32°		86°–32°		105°–39°		105°–39°		113°–43°		89°–47°
	Telephoto Vari-focal (PMTIR Models) H-FOV	-	8–22mm, 1/2.7", F1.6		8–22mm, 1/2.7", F1.6		8–22mm, 1/2.7", F1.6		8–22mm, 1/2.7", F1.6		9–22mm, 1/2.5", F1.6		12–22mm, 1/2.3", F2.2
		-	26°–11°		30°–11°		28°–12°		32°–12°		38°–16°		30°–17°
Remote Focus / Remote Zoom / P-iris		Yes	Yes		Yes		Yes		Yes		Yes		Yes
IR-corrected		Yes	Yes		Yes		Yes		Yes		Yes		Yes

* STELLAR™ Model ** Effective

Scaling Resolution Chart^{†***}

Scaled Resolution	Horizontal	Vertical	Pixel Count
720p	1280	720	921600
XVGA	1024	768	786432
DVGA (16:9)	1136	640	727040
DVGA (3:2)	960	640	614400
SVGA	800	600	480000
D1 (PAL)	720	576	414720
4CIF (PAL)	704	576	405504
D1 (NTSC)	720	480	345600
4CIF (NTSC)	704	480	337920
VGA	640	480	307200
2CIF (PAL)	704	288	202752
HVGA (4:3)	480	360	172800
2CIF (NTSC)	704	240	168960
HVGA (8:3)	640	240	153600
HVGA (3:2)	480	320	153600
HVGA (16:9)	480	272	130560
CIF (PAL)	352	288	101376
CIF (NTSC)	352	240	84480
QVGA (SIF)	320	240	76800
QCIF (PAL)	176	144	25344
QCIF (NTSC)	176	120	21120
SQCIF	128	96	12288

*** All scaled resolutions are available on all cameras that support scaling

† Maximum with H.264 compression

‡ SNAPstream and 802.1x not available on "-S" models

Programmability

Optics	Remote focus, remote zoom and P-iris control
Low Light Performance	STELLAR Technology 1.2MP models
	Pixel Binning Mode 3, 5, and 10MP models
Programmable Shutter Speed	Controls motion blur, 1ms–500ms
Motion Detection	Real-time, 1024 detection zones
Privacy Masking	Unlimited
Scaling	Non-integer scaling down to 128x96
Casino Mode™	Maintains 30fps or higher (AV2225 models) [†]
Flexible Cropping	Resolution windowing down to 1x1 pixel for JPEG and 2x2 pixels for H.264
Backlight Compensation	Multi-matrix white balance
Flicker Control	5Hz–255Hz adjustable
Image Rotation	CorridorView™ (90°, 180° and 270° image rotation)
Wide Dynamic Range	Auto adjustment between WDR and LDR modes (WDR models only)
Noise Reduction	Low light noise filter control
Efficiency	SNAPstream™ (Smart Noise Adaptation and Processing) [‡]
	Bit rate and bandwidth limitation control
	Bandwidth and storage savings by running at 1/4 resolution
Sharpness	Selectable enhancement level
Miscellaneous	Programmable resolution, brightness, saturation, gamma, tint
	Electronic pan, tilt, zoom (PTZ)

Data Transmission

Compression Type	H.264 (MPEG-4, Part 10) / Motion JPEG	
	21 levels of quality	
Network Protocols	RTSP, RTP/TCP, RTP/UDP, HTTP, DHCP, TFTP, 802.1x*	
Network Interface	100Base-T Ethernet	
Multi-Streaming	1.2-5MP Models	8 non-identical streams
	10MP Models	4 non-identical streams

Compliance

Industry Standard	ONVIF Profile S conformant
Listings	UL (CB)
FCC Compliance	47 CFR 15 Class A
Environmental	RoHS, REACH, WEEE
Markings	CE: EN55022 Class A, EN55024, EN61000-3-2, EN61000-3-3, EN60950-1
Mechanical	IP66 weather proof standard (EN60529), IK-10 impact-resistant

Environmental

Operating temperature	-40°C (-40°F) to +50°C (122°F)
Humidity	0% to 90% (non-condensing)
Storage temperature	-40°C (-40°F) to +60°C (140°F)

Electrical

Alarm Input/Output	General purpose opto-coupled, 1 input / 1 output
Power Over Ethernet	PoE 802.3af, Class 3
Auxiliary Power	12-48V DC, 24V AC

Max Power Consumption (Watts DC power)

Model	PMIR	PMTIR	PMIR-S	PMTIR-S
AV1225	-	-	12.0	-
AV2225	11.3	10.9	12.1	11.1
AV2226	12.4	11.8	13.4	12.0
AV3225	11.5	11.1	12.1	11.8
AV3226	12.4	11.8	13.4	12.0
AV5225	11.5	11.1	12.5	11.2
AV10225	11.8	11.3	12.4	11.3

IR Illuminator

PMIR	48 pcs 850nm LEDs / 100 ft IR distance (max) / 50° IR angle
PMTIR	4 pcs 850nm LEDs / 200 ft IR distance (max) / 33° IR angle
Power Over Ethernet	Total PoE solution (No external power requirement)

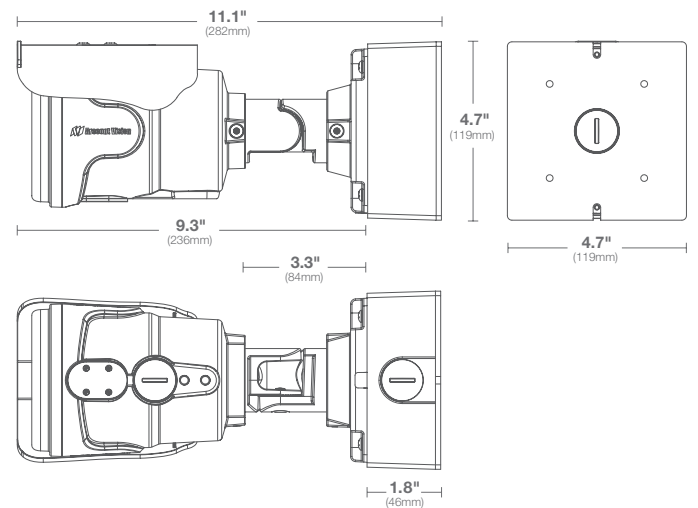
Audio Electrical (-A models only)

Streaming	Two-way
Compression	G.711 PCM 8 kHz
Input/Output	Microphone in / line output

Mechanical

Casing	Die-cast aluminum cylindrical (bullet-style) housing	
	IP66 weather proof standard	
	IK-10 impact-resistant	
Mount	Easily adjustable 3-axis with 360° pan, 90° tilt and 360° z-axis	
Dimensions <i>(See Dimensions)</i>	Unit	4.7" H (119mm) x 4.7" W (119mm) x 11.11" D (282mm)
	Packaged	7.1" H (180mm) x 7.1" W (180mm) x 13.5" D (342.9mm)
Weight	Unit	3.9lb (1.76 kg)
	Packaged	5.2lb (2.35 kg)
On Board Storage	SDHC slot up to 32GB (card not included) (-S models)	

Dimensions



* SNAPstream and 802.1x not available on "-S" models

Ordering Information



Model Numbers

1.2MP	AV1225PMIR-S	STELLAR™
1080p	AV2225PMIR	
	AV2225PMIR-S	
	AV2225PMIR-SA	
	AV2225PMTIR-S	
	AV2226PMIR	WDR
	AV2226PMIR-S	WDR
	AV2226PMTIR-S	WDR
3MP	AV3225PMIR	
	AV3225PMIR-S	
	AV3225PMTIR-S	
	AV3226PMIR	WDR
	AV3226PMIR-S	WDR
	AV3226PMIR-SA	WDR
	AV3226PMTIR-S	WDR
5MP	AV5225PMIR	
	AV5225PMIR-S	
	AV5225PMIR-SA	
	AV5225PMTIR-S	
10MP	AV10225PMIR-S	Dual Mode
	AV10225PMTIR-S	Dual Mode

Model Specific Features

Model	Resolution	Frame Rate†	Features		
AV1225	1.2MP	37fps	-		STELLAR™
AV2225	1080p	30fps	-	Casino Mode™	-
AV2226	1080p	30fps	WDR		-
AV3225	3MP	21fps	-		Binning
AV3226	3MP	21fps	WDR		Binning
AV5225	5MP	14fps	-		Binning
AV10225	10MP	7fps	-		Binning

Configurations



Wide Angle Lens

Telephoto Lens

Options

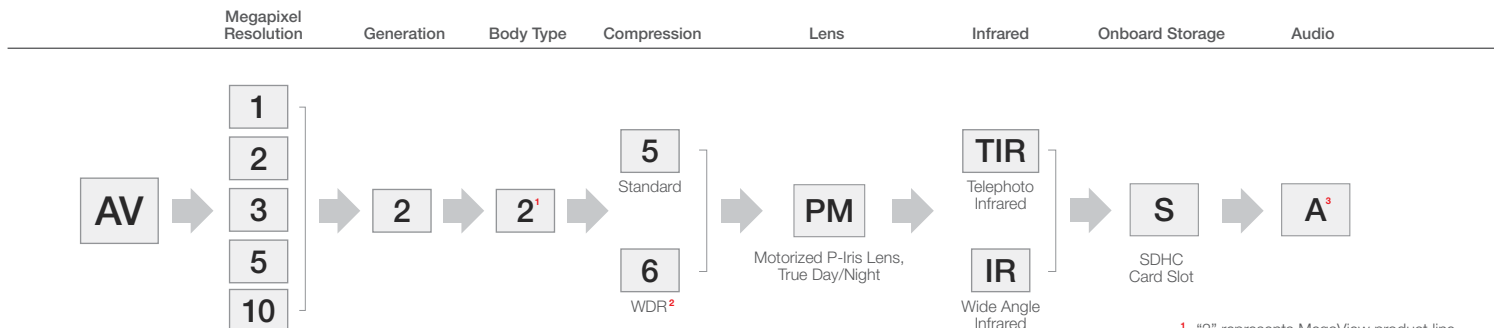
PMIR	Wide Angle Lens w/ Remote Focus/Zoom, P-Iris, True Day/Night, IR LEDs
PMTIR	Telephoto Lens w/ Remote Focus/Zoom, P-Iris, True Day/Night, IR LEDs
-S	SDHC Card Slot, Non-Integer Scaling
-A	Audio

Note: Not all options available on all models.

Accessories

AV-CRMA	Corner Mount Adapter
AV-EBAS	Square Electrical Box Adapter
AV-PMA	Pole Mount Adapter

Create Your Model (Example: AV3226PMIR-SA)



1 "2" represents MegaView product line
 2 WDR for AV2226 and AV3226 models only
 3 Wide angle lens cameras only
 † Maximum with H.264 compression