



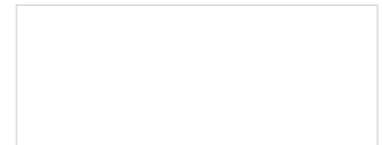
Samsung Security System

SAMSUNG Intrusion Alarm Systems



Design and specifications are subject to change without notice.

■ DISTRIBUTED BY



SAMSUNG TECHWIN CO., LTD.
Samsungtechwin R&D Center, 701, Sampyeong-dong, Bundang-gu, Seongnam-si, Gyeonggi-do Korea 463-400
Tel : +82-70-7147-8741 ~ 8749 / +82-70-7147-8752 ~ 8760 Fax : +82-31-8018-3745
www.samsungcctv.com www.samsungsecurity.com

SAMSUNG TECHWIN AMERICA Inc.
1480 Charles Willard St, Carson, CA 90746, UNITED STATES
Tel Free : +1-877-213-1222 Fax : +1-310-632-2195
www.samsungcctvusa.com

SAMSUNG TECHWIN EUROPE LTD.
Samsung House, 1000 Hillwood Drive, Hillwood Business Park
Chertsey, Surrey, UNITED KINGDOM KT16 0PS
Tel : +44-1932-45-5300 Fax : +44-1932-45-5325

TIANJIN SAMSUNG TECHWIN OPTO-ELECTRONICS CO., LTD.
No.11 Wei 6 Street, Micro-Electronic Industrial Park
Jingang Road, Tianjin, P.R. CHINA 300385
Tel : +86-22-23887788 Fax : +86-22-23887788

M.H-1011



About us

Based on optical and image processing technologies accumulated over 30 years, Samsung Techwin have solidified its leadership position in the field of security solutions by developing and manufacturing cutting-edge security systems, including the world's best-performing security cameras, digital video recorders and network control systems.

Samsung Techwin is not only a leader in the video surveillance market, but is expanding into other areas of security including intrusion alarm systems. Samsung Techwin intrusion alarm products consist of control panels and a variety of sensors and strobes to provide the perfect solution.

SAMSUNG



Intrusion Alarm Systems

Intrusion alarm systems are a new business area for Samsung and its range of control panels, detectors, signalling devices and arming stations cement Samsung's position as a full security solutions provider.



Access Control Systems

Samsung first introduced its range of access control systems in 2009. Now with a complete range of standalone controller, single & 4-door controllers, multi-technology biometric readers and software, Samsung is able to provide a solution for small, medium and large-scale requirements that are able to fully integrate with surveillance technology.



Video Surveillance

Samsung is unrivalled in its capabilities within the video surveillance market. By investing heavily into R&D it has developed an enviable reputation for producing the best technology, products and solutions available today, whilst forging strong partnerships with its customers. Samsung is constantly raising the benchmark in video surveillance and is currently investing in the development of next generation IP & network surveillance products to compliment its leading analogue products.

Intrusion Alarm System



Strobe Light

Strobe lights are widely used in commercial and industrial applications. When an alarm is activated a strobe light emits very bright flashes that give visual verification of the alarm.

Intrusion Alarm Controller

Samsung intruder alarm control panels sit at the very heart of your intruder alarm system monitoring all operations and activity. Detection devices including sensors, arming stations and signalling devices either directly or indirectly connect to the control panel.

Magnetic Sensor

Magnetic sensors can be used to detect intrusion through areas such as windows and doors. For example, one half of the sensor could be mounted to a door frame and the other to the door; as soon as contact is broken a signal is sent to the alarm control panel and the alarm is activated.

PIR Sensor

Passive Infra Red (PIR) sensors are able to recognise movement in a room by detecting the infrared (IR) light radiating from a subject. This IR radiation is invisible to the human eye, but PIR sensors are able to see it clearly. Upon activation the PIR sensor sends a signal to the alarm control panel and the alarm is activated.

Photo Sensor

Unlike a PIR sensor that only receives IR light radiation, a photo sensor actively sends a beam of IR light from a transmitter to a receiver. When the beam is broken a signal is sent to the alarm control panel and the alarm is activated. This type of sensor is ideal for perimeter protection applications.

SIC-0800/SIK-0001

8 Wired Zones Alarm System / 8 Wired Zones Alarm Keypad

Features

- 8 programmable wired zones
- 6 receive phones : 2 for central station and 4 for phone
- Communication protocol : ADMECO 4+1 and contact ID
- Remote control by telephone
- 1 bell output, 1 PGM output
- Keypad buzzer indication
- Bell call back function
- 200 event log
- Anti-temper and anti-cut for both control panel and keypad wire
- Malfunction alarm : AC power failure, low battery and telephone line loss
- Emergency keystroke on keypad
- PGM output
- Approval Listing : EN50131-1 Grade 1

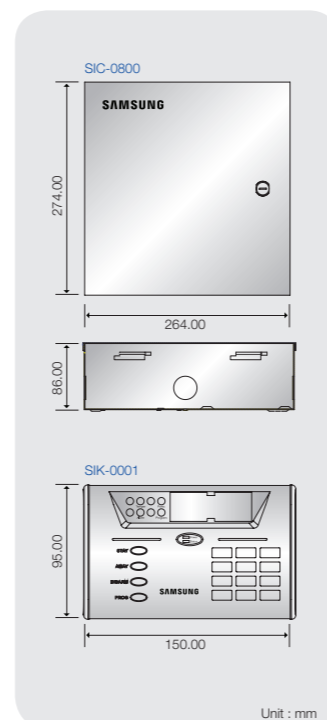
* SIC-0800 includes control a panel and a keypad (SIK-0001)
* These models are unavailable in Americas



Specification

	SIC-0800	SIK-0001
Zone	8 Wired	-
Receive Phone	6	-
Connect Keypad	4	-
Protocol	ADECO 4+1, Contact ID	-
Output	Bell, 1 PGM	-
Event Log	200	-
Anti Temper	0	-
Anti Cut	0	-
Malfunction Alarm	0	-
Auto-check Function	0	-
Input Voltage (Control Panel)	220V AC	-
Input Voltage (Keypad)	12V DC	-
Current (Control Panel)	≤ 70mA	-
Current (Keypad)	≤ 30mA	-
Power Consumption	9.7W (Connect 8 detectors and one keypad)	0.36W
Operating Temperature	-10~ +55°C	-
Operating Humidity	Less than 95%	-
Dimension (Control Panel)	274 x 264 x 86mm (10.79" x 10.39" x 3.39")	-
Dimension (Keypad)	150 x 95 x 30mm (5.9" x 3.74" x 1.18")	-
Weight	2,880g (6.3lb)	190g (0.4lb)

Dimension



SIC-0400

4 Wired Zones Alarm System

Features

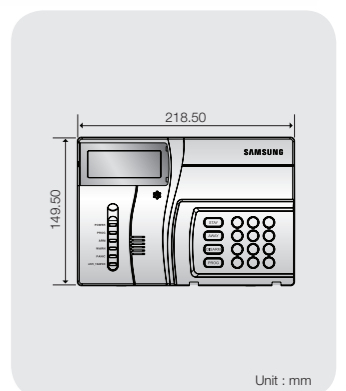
- 4 programmable wired zones
- 6 alarm telephone numbers : 2 for receiving centre and 4 for private telephones
- Communication protocol : ADMECO 4+1/contact ID
- Remote control through telephone
- Bell output, buzzer indication
- Bell callback function
- Three passwords : 1 user code +1 duress code +1 operation password
- 250 events record
- System Self-checking
- Bypass direction
- Anti-tamper function of control panel
- Malfunction alarms for AC power loss, battery low-voltage and telephone line loss
- Approval Listing : EN50131-1 Grade 2



Specification

	SIC-0400
Zone	4 Wired
Receive Phone	6
Connect Keypad	-
Protocol	ADECO 4+1, Contact ID
Output	1 Bell
Event Log	250
Anti Temper	0
Anti Cut	0
Malfunction Alarm	0
Input Voltage	100~240VC
Current	≤ 130mA
Operating Temperature	-10 ~ +55°C
Operating Humidity	Less than 95%
Dimensions (WxHxD)	218.5 x 149.5 x 39mm (8.6" x 5.89" x 1.54")
Weight	770g (1.7lb)

Dimension



Unit : mm

SIA-0010I/SIA-0010/0030

10m/30m Twin Beam Sensor

Features

- Outdoor twin beam sensor
- Against frost & dew (A.G.C)
- Adjustable beam interruption period
- FCC, CE approved
- IP65
- SIA-0010I/0010 (Outdoor 10m)
- SIA-0030 (Outdoor 30m)
- Applicable accessories : SIB-0001/0002/0003
- Approval Listing : EN50131-1 Grade 2

Bracket



SIA-0060/0120

60m/120m Twin Beam Sensor

Features

- Outdoor twin beam sensor
- Against frost & dew (A.G.C)
- Adjustable beam interruption period
- FCC, CE approved
- IP65
- SIA-0060 (Outdoor 60m)
- SIA-0120 (Outdoor 120m)
- Applicable accessories (SIA-0060) : SIB-0001/0002/0003
- Approval Listing : EN50131-1 Grade 2

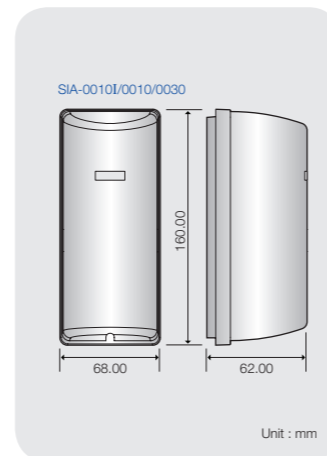
Bracket



Specification

	SIA-0010I	SIA-0010	SIA-0030
Detection Range	10m (Outdoor)		30m (Outdoor)
Beam	Twin beam		
Interruption Period	50 ~ 500ms		
Alarm Output	NC / NO		
Tamper Switch	NC		
LED Indicator	2 steps		
Ingress Protection	IP65		
Input Voltage / Current	10.2 ~ 13.8V DC / Max.41mA		
Operating Temperature / Humidity	-25 ~ +60°C (-13°F ~ +140°F) / Less than 95%		
Dimensions (WxHxD)	68 x 160 x 62mm (2.68" x 6.3" x 2.44")		
Weight	470g (1.0lb)		

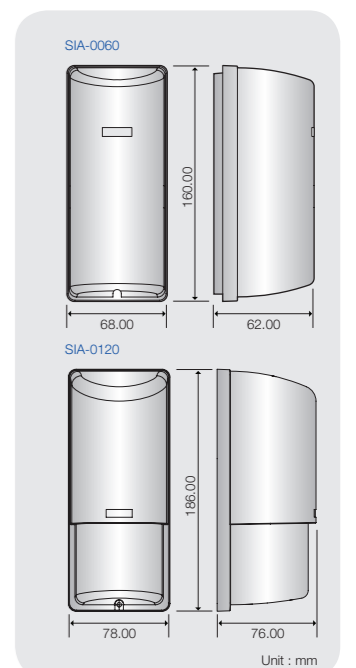
Dimension



Specification

	SIA-0060	SIA-0120
Detection Range	60m (Outdoor)	120m (Outdoor)
Beam	Twin beam	
Interruption Period	50 ~ 500ms	
Alarm Output	NC / NO	
Tamper Switch	NC	
LED Indicator	2 steps	
Ingress Protection	IP65	
Input Voltage / Current	10.2 ~ 13.8V DC / Max.41mA	
Operating Temperature / Humidity	-25 ~ +60°C (-13°F ~ +140°F) / Less than 95%	
Dimensions (WxHxD)	68 x 160 x 62mm (2.68" x 6.3" x 2.44")	78 x 186 x 76mm (3.07" x 7.32" x 3.0")
Weight	470g (1.0lb)	622g (1.4lb)

Dimension



SIA-0030D/0060D/0120D

Digital Twin Beam Sensor

Features

- Outdoor digital twin beam sensor
- 4 way frequency selection
- Against frost&dew (A.G.C)
- Adjustable beam interruption period
- FCC, CE approved
- IP65
- SIA-0030D (Outdoor 30m)
- SIA-0060D (Outdoor 60m)
- SIA-0120D (Outdoor 120m)
- Applicable accessories (SIA-0030D/0060D) : SIB-0001/0002/0003
- Approval Listing : EN50131-1 Grade 3

Bracket

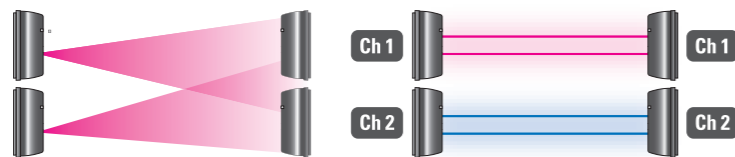


Specification

	SIA-0030D	SIA-0060D	SIA-0120D
Max. Detection Range	30m	60m	120m
Beam	Twin beam		
Selectable Beam Freq.	4 channel		
Interruption Period	50 ~ 500ms		
Alarm Output	NC / NO		
Tamper Switch	NC		
LED Indicator	2 steps		
Ingress Protection	IP65		
Input Voltage / Current	10.2 ~ 13.8V DC / Max.41mA		
Operating Temperature / Humidity	-25 ~ +60°C (-13°F ~ +140°F) / Less than 95%		
Dimension (WxHxD)	68 x 160 x 62mm (2.68" x 6.3" x 2.44")		78 x 186 x 76mm (3.07" x 7.32" x 3.0")
Weight	468g (1.0lb)		622g (1.4lb)

4 Way Frequency Selection

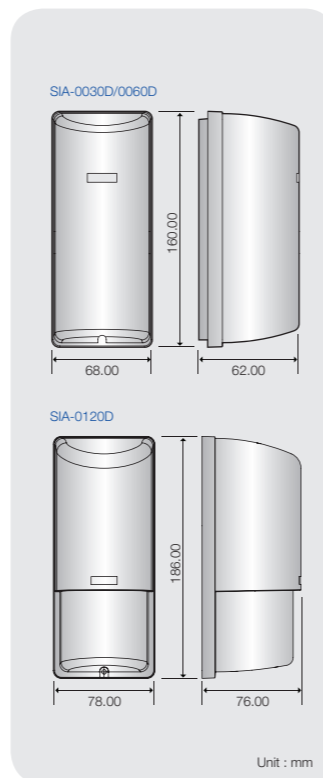
Users can prevent the confusion among beams, by setting a receiving channel and a transmitting channel.



Conventional Beam Sensor
(Confusion occurs among beams)

SIA-0030D/0060D/0120D
(Preventing confusion via frequency selecting)

Dimension



SIA-0100Q/0200Q

Digital Quad Beam Sensor

Features

- Outdoor quad beam sensor
- 4 way frequency selection
- Against frost&dew (A.G.C)
- Send the environment signal
- 15 steps LED indicator
- Adjustable beam interruption period
- FCC, CE approved
- SIA-0100Q (Outdoor 100m)
- SIA-0200Q (Outdoor 200m)
- Approval Listing : EN50131-1 Grade 3

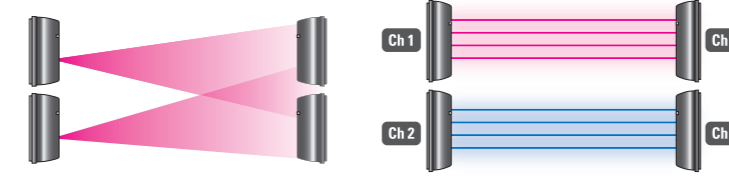


Specification

	SIA-0100Q	SIA-0200Q
Max. Detection Range	100m	200m
Beam	Quad beam	
Selectable Beam Freq.	4 channel	
Interruption Period	50 ~ 700ms	
Alarm Output	NC / NO	
Tamper Switch	NC	
LED Indicator	15 steps	
Ingress Protection	IP55	
Input Voltage / Current	10.2 ~ 13.8V DC / Max.75mA	10.2 ~ 13.8V DC / Max.100mA
Operating Temperature / Humidity	-25 ~ +60°C (-13°F ~ +140°F) / Less than 95%	
Dimension (WxHxD)	103 x 399 x 96mm (4.06" x 15.71" x 3.78")	
Weight	2,500g (5.5lb)	

4 Way Frequency Selection

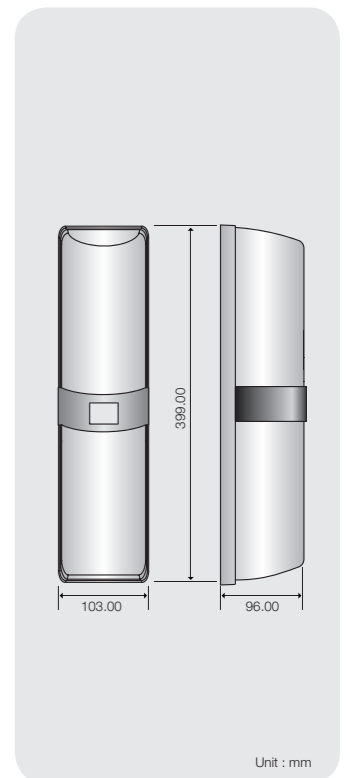
Users can prevent the confusion among beams, by setting a receiving channel and a transmitting channel.



Conventional Beam Sensor
(Confusion occurs among beams)

SIA-0100Q/0200Q
(Preventing confusion via frequency selecting)

Dimension



SIP-0012DA/1212W

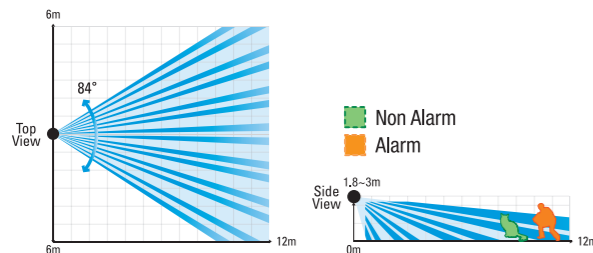
Pet Immunity PIR Sensor

Features

- Reliable sensor with mirror lens
- Silent relay
- FCC, CE approved
- Pet immunity
- Look down zone
- Approval Listing : EN50131-1 Grade 2



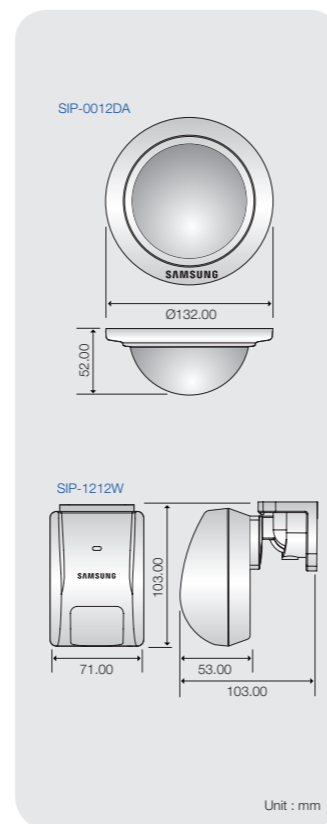
Detection Range



Specification

	SIP-0012DA	SIP-1212W
Coverage	84° x 12m x 12m	
Alarm Output	NC/NO	
Detectable Speed	0.2 ~ 1.5ms	
Pet Immunity	Max. 20Kg	
Pulse Count	2 / 4	
PIR Sensitivity	H / L (SIP-0012DA)	
Tamper Switch	NC	
Mounting Height	1.8 ~ 3m	
LED Status	Blinks for 3 minutes when the memory set up	
Input Voltage / Current	10.2 ~ 13.8V DC / Max.17mA	
Operating Temperature / Humidity	-10 ~ +50°C (+14°F ~ +122°F) / Less than 95%	
Dimensions (WxHxD)	Ø132 x 52mm (Ø5.2 "x 2.05")	71 x 103 x 103mm (Ø5.2 "x 2.05")
Weight	90g (0.2lb)	110g (0.2lb)

Dimension



SIP-1201DD

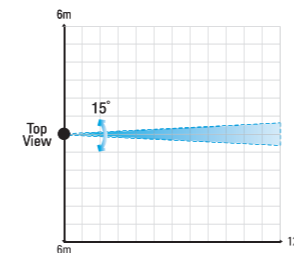
Directional PIR Sensor

Features

- Reliable sensor with mirror lens
- Silent relay
- FCC, CE approved
- Direction setting function
- Approval Listing : EN50131-1 Grade 2



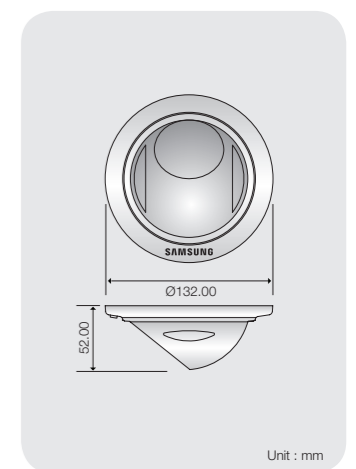
Detection Range



Specification

	SIP-1201DD
Coverage	12 x 1m
Alarm Output	NC/NO
Detectable Speed	0.2 ~ 1.5ms
Pulse Count	2 / 4
Time Setting	5s, 1m, 2m, 4m
Tamper Switch	NC
Mounting Height	1.8 ~ 3m
LED Status	Green : Internal/left zone, Red : Alarm/Right zone
Input Voltage / Current	10.2 ~ 13.8V DC / Max.19mA
Operating Temperature / Humidity	-10 ~ +50°C (+14°F ~ +122°F) / Less than 95%
Dimensions (WxD)	Ø132 x 52mm (Ø5.2 "x 2.05")
Weight	90g (0.2lb)

Dimension



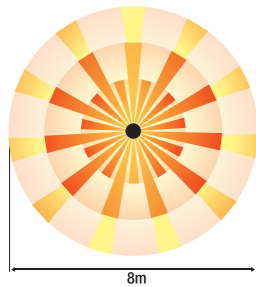
SIP-0008DC

360° PIR Sensor

Features

- Ceiling mount type
- Metal shield with electromagnetism immunity
- Auto temperature compensation to reduce false alarm
- Pulse count optional
- 360° viewing
- LED ON&OFF optional
- Approval Listing : EN50131-1 Grade 2

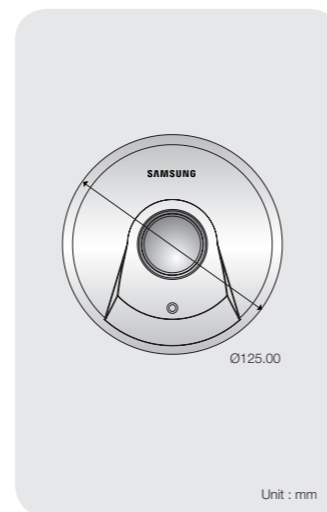
Detection Range



Specification

	SIP-0008DC
Coverage	360°x8m
Alarm output	NC/NO
Pulse count	2/4
PIR sensitivity	H/L
Tamper switch	NC
Mounting height	2.5 ~ 3.6m
Input Voltage/Current	9~16 VDC, max.25mA
Operating temperature/Humidity	-10~50°C, Less than 95%
Dimension (WxHxD)	Ø125 x 43.5mm (Ø4.92" x 1.71")
Weight	150g (0.33lb)

Dimension



SIT-1212W

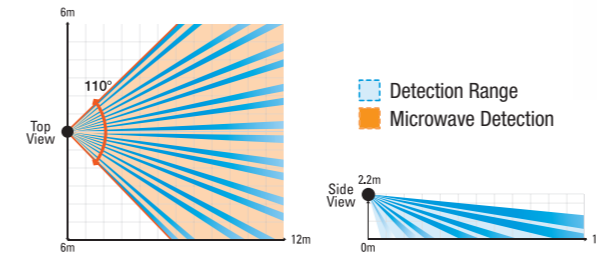
Microwave PIR Sensor

Features

- Doppler effect+power analysis
- X-Band plane antenna
- Microwave detecting distance adjustable
- Auto temperature compensation, reducing false alarm
- Dynamic threshold adjustment technology with high interference immunity
- Look-down window design, avoiding dead angle
- Alarm output N.C./N.O. optional for different alarm controller
- Intelligence technology differing intruder from interference signal
- Approval Listing : EN50131-1 Grade 2

Dual Detection

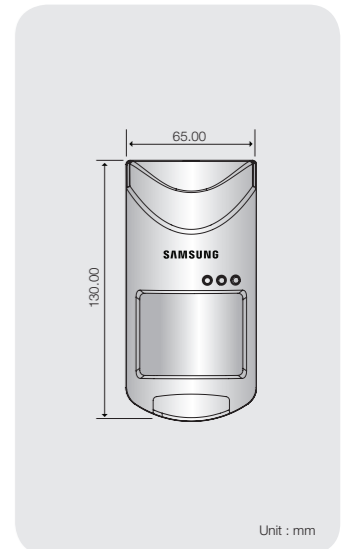
SIT-1212W supports dual detection function utilizing microwaves. While conventional PIR sensor only detects the changes in temperature and sometimes result in false alarm, microwave detection help to find out whether the temperature has changed by intrusion or just by external environment.



Specification

	SIT-1212W
Coverage	110°x12x12m
Alarm output	NC/NO
Pulse count	2/4
PIR sensitivity	H/L
Tamper switch	NC
Mounting height	2.2m
Input Voltage/Current	9~16 VDC, max.30mA
Operating temperature/Humidity	-10~50°C, Less than 95%
Dimensions (WxHxD)	130 x 65 x 53.3mm (5.11" x 2.56" x 2.1")
Weight	133g (0.29lb)

Dimension



Bracket



Shock Sensor

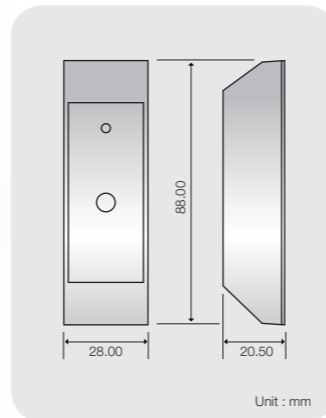
Shock Sensor

SIS-0001

Shock Sensor



Dimension



Features

- Detect the vibration
- Applicable place : glass window, safe box
- Pulse count : 1 / 2 / 3
- Approval Listing : EN50131-1 Grade 2

Specification

	SIS-0001
Installation Site	Safe box, Glass window
Pulse Count	1 / 2 / 3
LED Status	Red : Lights up when an alarm occurs, Green : Lights up when counting
Alarm Output	NC
Input Voltage / Current	10.2 ~ 13.8V DC / Max.14mA
Operating Temperature / Humidity	-20 ~ 50°C (-4°F ~ +122°F) / Less than 95%
Dimensions (WxHxD)	28 x 88 x 20.5mm
Weight	26g (0.06lb)

Magnetic Sensor

Magnetic Sensor

SIM-0001

Magnetic Sensor



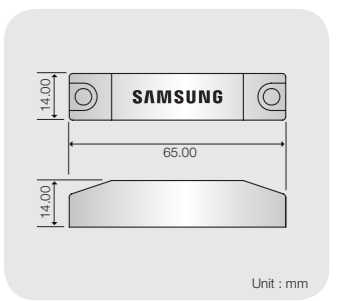
Features

- Approval Listing : EN50131-1 Grade 2

Specification

	SIM-0001
Standard Gap	30mm
Alarm Output	NC
Operating Temperature / Humidity	-20 ~ 50°C (-4°F ~ +122°F) / Less than 95%
Dimensions (WxHxD)	65 x 14 x 14mm (2.56" x 0.55" x 0.55")
Weight	42g (0.09 lb)

Dimension



Strobe Light

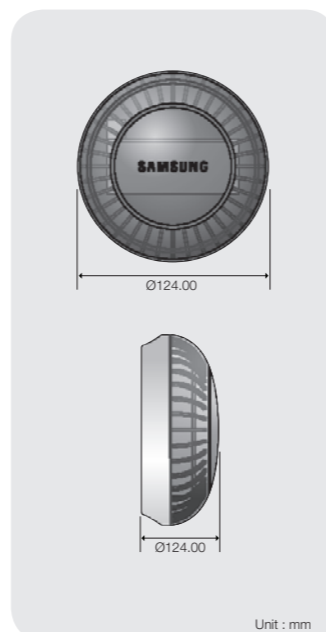
Strobe Light

SIL-0001 SIE-0001

Strobe Light



Dimension



Specification

	SIL-0001	SIE-0002
Light source	White light source power led	
Light revolution cycle	60min	
Brightness	10Lux (Base on 1m distance)	10Lux
Siren activation time	-	15s
Siren dB	90dB (Base on 30m distance)	90dB
Input Voltage/Current	10.2~13.8 VDC, max.45mA	10.2~13.8 VDC, max.170mA
Operating temperature/Humidity	-20~50°C, Less than 95%	
Dimension (WxHxD)	Ø124x56 mm (Ø4.88"x2.2")	
Weight	200g (0.44lb)	

Magnetic Sensor

Magnetic Sensor

SIM-0002

Magnetic Sensor



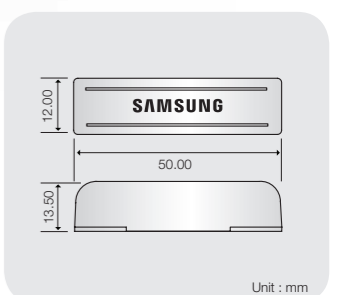
Features

- Approval Listing : EN50131-1 Grade 2

Specification

	SIM-0002
Standard Gap	30mm
Alarm Output	NC
Operating Temperature / Humidity	-20 ~ 50°C (-4°F ~ +122°F) / Less than 95%
Dimensions (WxHxD)	50 x 13.5 x 12mm (1.97" x 0.53" x 0.47")
Weight	42g (0.09 lb)

Dimension



MEMO



MEMO



A large rectangular area with rounded corners, containing horizontal dashed lines for writing.

A large rectangular area with rounded corners, containing horizontal dashed lines for writing.